

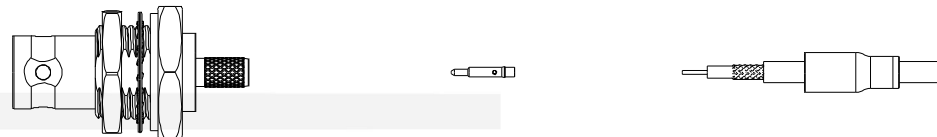
Revisions

Issue	Date	Note
3	08/08/2013	See note 175747431

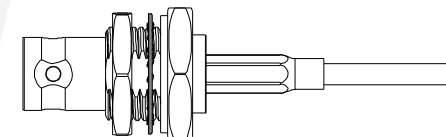
ASSEMBLY VIEW

Assembly Instructions

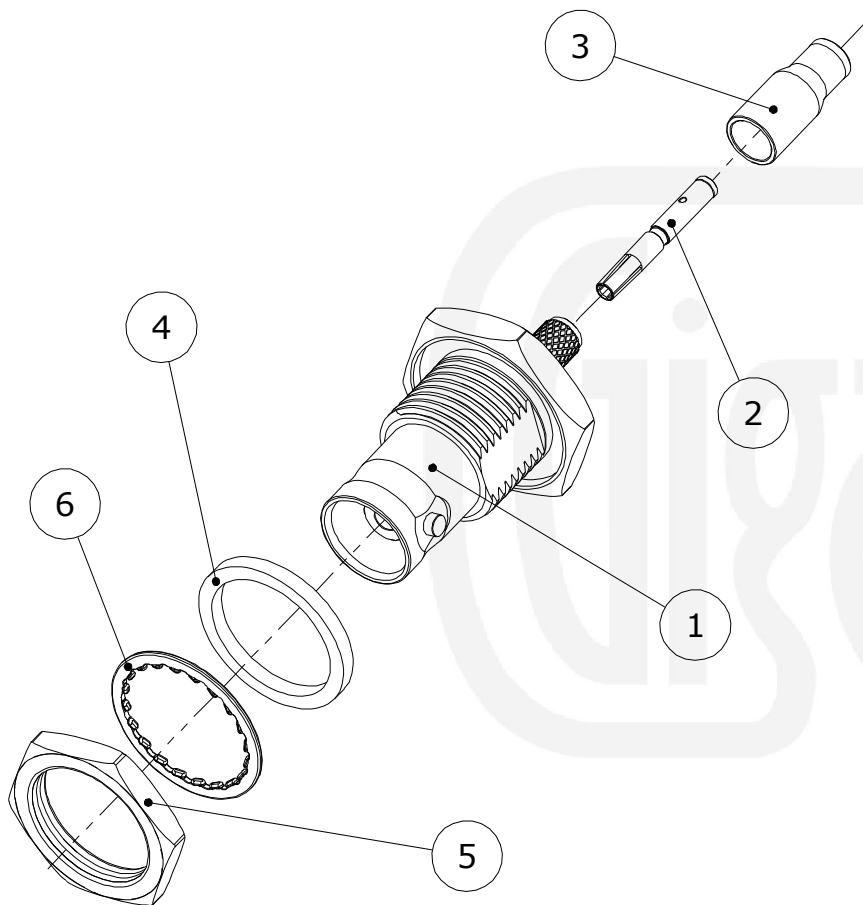
1) Slide the ferrule onto the cable and strip the cable to the dimensions as shown, taking care not to nick the centre conductor or braid.



2) Crimp the contact onto the centre core and slide the contact into the body until it captivates, ensuring that the cable braid is on the outside of the connector mandril.



3) Slide the ferrule forward and crimp.

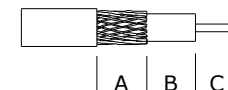


Crimp Hex. Sizes:

4.52mm Hex, 1.69mm Hex

Strip Dimensions:

A=8.0mm, B=6.0mm, C=4.0mm



Description	Material	Finish
7 Dielectric	PTFE	White
6 Grommet	Rubber	Orange
5 Washer	SS41	Nickel
4 Backnut	Brass	Nickel
3 Ferrule	Brass	Nickel
2 Contact	Brass	Gold
1 Body	Brass	Nickel

Unless otherwise specified tolerances
 0.5-5 = ±0.2
 >5-30 = ±0.4
 >30-120 = ±0.6
 >120-315 = ±1.0
 >315-1000 = ±1.6
 Angles = ±5°
 Units = mm

This document is the confidential property of Gigatronix Limited and may not be copied, reproduced or transmitted to any third party without written authorisation.



Author	P. Patterson
Drawn by	P. Patterson
Drawing date	08/08/2013
Checked by	T. Mullins
Checked date	20/08/2013
Scale	Not to scale

Part Number	BN02-0174-C06
Title:	BNC Crimp Bulkhead Jack, Nickel Plated, RG174, LBC100, RG316