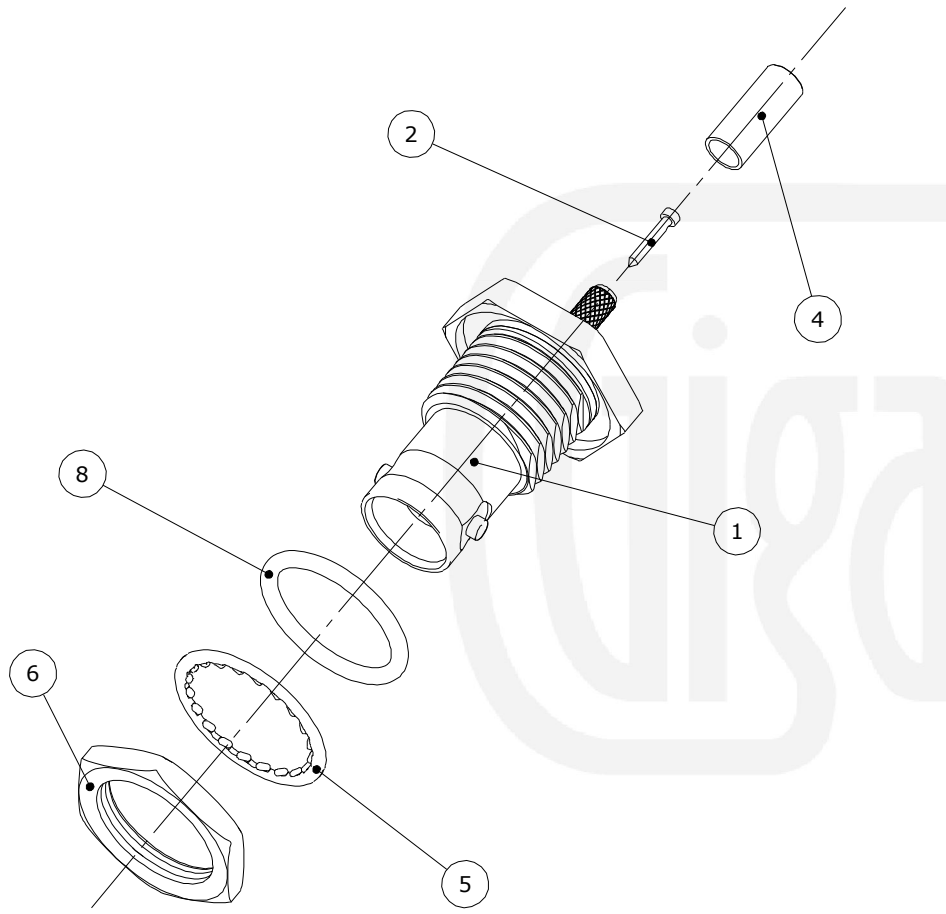


**Revisions**

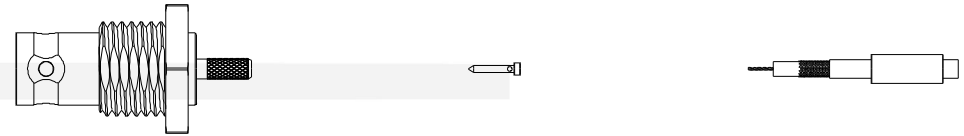
Issue	Date	Note
2	11/09/2018	See note 492674999

**ASSEMBLY VIEW**



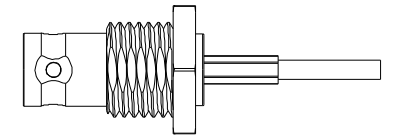
**Assembly Instructions**

1) Slide the ferrule onto the cable and strip the cable to the dimensions as shown, taking care not to nick the centre conductor or braid.



2) Crimp the pin onto the centre core and slide the contact into the body until fully located, ensuring that the cable braid is on the outside of the connector mandril.

3) Slide the ferrule forward and crimp.

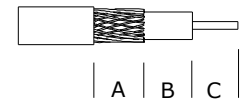


**Crimp Hex. Sizes:**

3.25mm Hex, 0.72mm Square

**Strip Dimensions:**

A=7.5mm, B=5.0mm, C=2.0mm



8	O Ring	Silicon	Black
7	Dielectric	PTFE	White
6	Lock Nut	Brass	Nickel
5	Washer	Phosphor Bronze	Nickel
4	Ferrule	Brass	Nickel
3	Contact	Phosphor Bronze	Gold
2	Pin	Brass	Gold
1	Body	Brass	Nickel
	<b>Description</b>	<b>Material</b>	<b>Finish</b>

Unless otherwise specified tolerances  
 0.5-5 = ±0.2  
 >5-30 = ±0.4  
 >30-120 = ±0.6  
 >120-315 = ±1.0  
 >315-1000 = ±1.6  
 Angles = ±5°  
 Units = mm

This document is the confidential property of Gigatronix Limited and may not be copied, reproduced or transmitted to any third party without written authorisation.



**Part Number** BN02-3161-C06WP

**Title:** BNC Waterproof Crimp Bulkhead Jack, IP68, RG174, LBC100, RG316

<b>Author</b>	PJP
<b>Drawn by</b>	PJP
<b>Drawing date</b>	24/03/2015
<b>Checked by</b>	DB
<b>Checked date</b>	27/09/2018
<b>Scale</b>	Not to scale