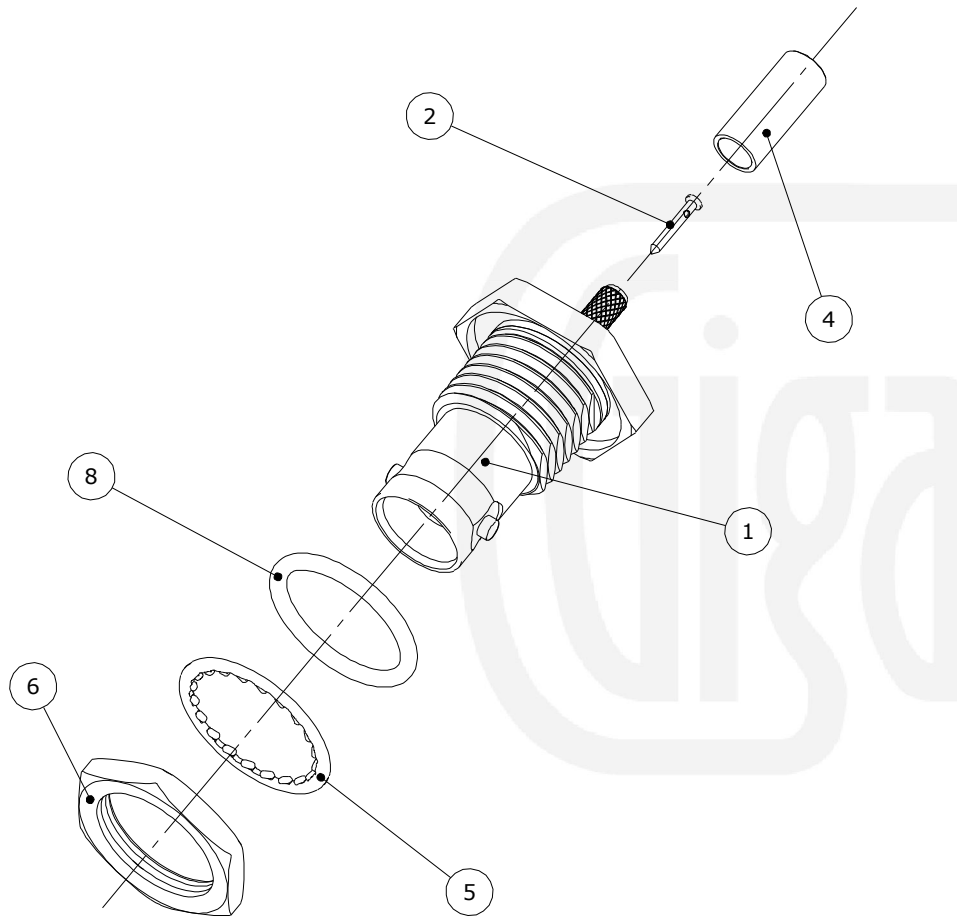


**Revisions**

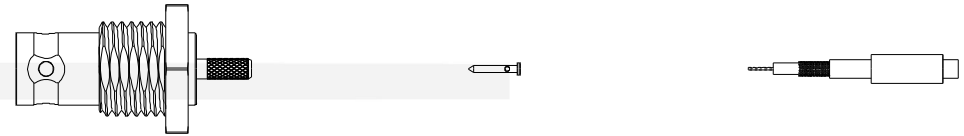
| Issue | Date       | Note                |
|-------|------------|---------------------|
| 2     | 21/01/2020 | See note GTXPCD/136 |

**ASSEMBLY VIEW**



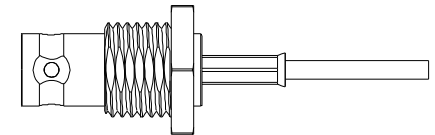
**Assembly Instructions**

1) Slide the ferrule onto the cable and strip the cable to the dimensions as shown, taking care not to nick the centre conductor or braid.



2) Solder the pin onto the centre core and slide the contact into the body until fully located, ensuring that the cable braid is on the outside of the connector mandril.

3) Slide the ferrule forward and crimp.

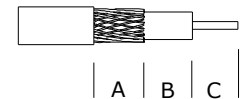


**Crimp Hex. Sizes:**

3.83mm Hex, Solder Centre Core

**Strip Dimensions:**

A=8.5mm, B=5.0mm, C=2.0mm



|   |                    |                 |               |
|---|--------------------|-----------------|---------------|
| 8 | O Ring             | Silicon         | Black         |
| 7 | Dielectric         | PTFE            | White         |
| 6 | Lock Nut           | Brass           | Nickel        |
| 5 | Washer             | Phosphor Bronze | Nickel        |
| 4 | Ferrule            | Brass           | Nickel        |
| 3 | Contact            | Phosphor Bronze | Gold          |
| 2 | Pin                | Brass           | Gold          |
| 1 | Body               | Brass           | Nickel        |
|   | <b>Description</b> | <b>Material</b> | <b>Finish</b> |

Unless otherwise specified tolerances  
 0.5-5 = ±0.2  
 >5-30 = ±0.4  
 >30-120 = ±0.6  
 >120-315 = ±1.0  
 >315-1000 = ±1.6  
 Angles = ±5°  
 Units = mm

This document is the confidential property of Gigatronix Limited and may not be copied, reproduced or transmitted to any third party without written authorisation.



|                     |              |
|---------------------|--------------|
| <b>Author</b>       | PJP          |
| <b>Drawn by</b>     | PJP          |
| <b>Drawing date</b> | 21/08/2019   |
| <b>Checked by</b>   | DB           |
| <b>Checked date</b> | 21/08/2019   |
| <b>Scale</b>        | Not to scale |

**Part Number** BN02-3162-C06WP

**Title:** BNC Waterproof Crimp Bulkhead Jack, IP68, RD316