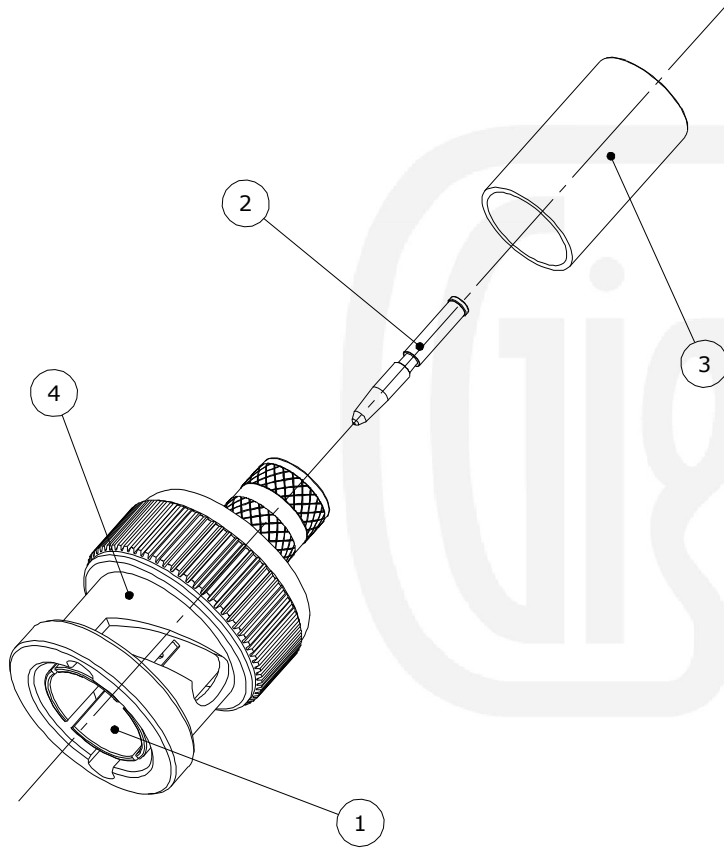


**Revisions**

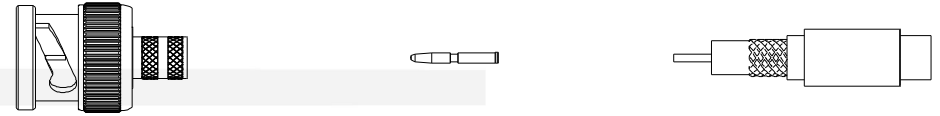
Issue	Date	Note
3	17/10/2018	See note 505791575

**ASSEMBLY VIEW**

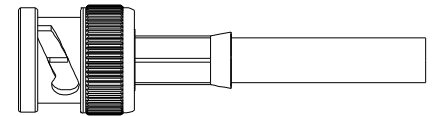


**Assembly Instructions:**

1) Slide the ferrule onto the cable and strip the cable to the dimensions as shown, taking care not to nick the centre conductor or braid



2) Crimp the pin onto the centre core and slide the pin into the body until it captivates, ensuring that the cable braid is on the outside of the connector mandril



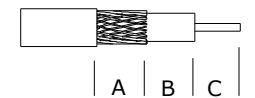
3) Slide the ferrule forward and crimp

**Crimp Hex. Sizes:**

6.48mm Hex., 1.07mm Sq

**Strip Dimensions:**

A=7.5mm, B=3.2mm, C=4.0mm



Description	Material	Finish
5 Dielectric	Delrin	White
4 Coupling Nut	Brass	Black Chrome
3 Ferrule	Brass	Nickel
2 Pin	Brass	Gold
1 Body	Zinc Alloy	Nickel

Unless otherwise specified tolerances  
 0.5-5 = ±0.2  
 >5-30 = ±0.4  
 >30-120 = ±0.6  
 >120-315 = ±1.0  
 >315-1000 = ±1.6  
 Angles = ±5°  
 Units = mm

This document is the confidential property of Gigatronix Limited and may not be copied, reproduced or transmitted to any third party without written authorisation.



<b>Author</b>	PJP
<b>Drawn by</b>	PJP
<b>Drawing date</b>	24/09/2015
<b>Checked by</b>	PP
<b>Checked date</b>	17/10/2018
<b>Scale</b>	Not to scale

**Part Number** BN15-1505-C23-Z  
**Title:** BNC HDTV 12G SDI Crimp Plug, Black Chrome Plated, Belden 1505A, Belden 4505R, 1505F, 1505ANH, Image 720