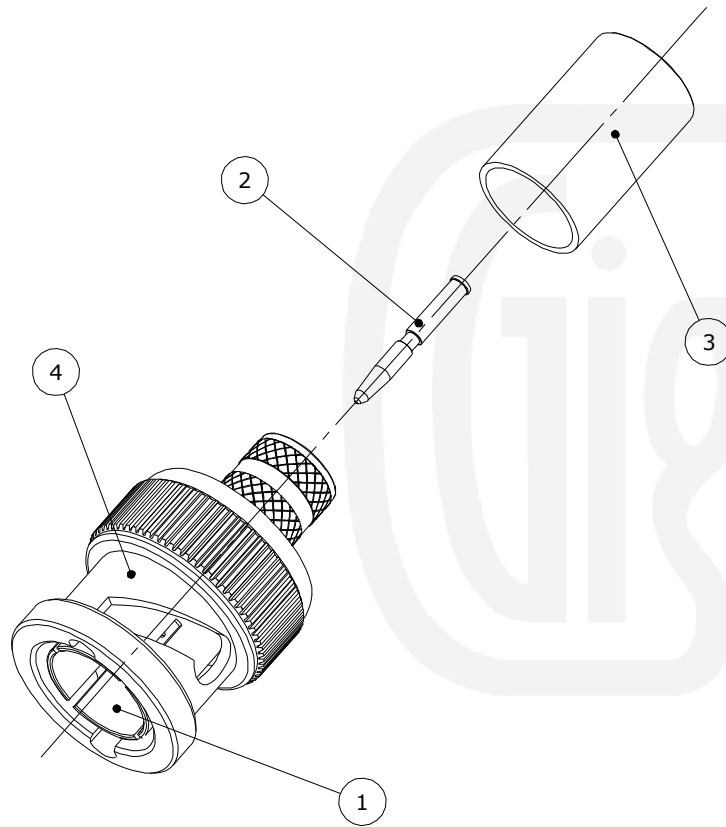


Revisions

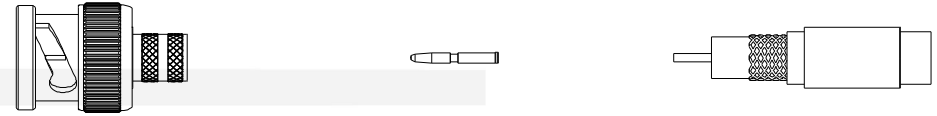
Issue	Date	Note
2	06/10/2016	See note 311715079

ASSEMBLY VIEW

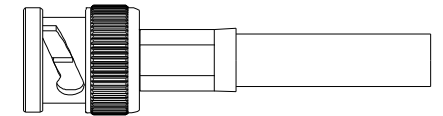


Assembly Instructions:

1) Slide the ferrule onto the cable and strip the cable to the dimensions as shown, taking care not to nick the centre conductor or braid



2) Crimp the pin onto the centre core and slide the pin into the body until it captivates, ensuring that the cable braid is on the outside of the connector mandril



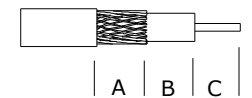
3) Slide the ferrule forward and crimp

Crimp Hex. Sizes:

7.06mm Hex., 1.07mm Square

Strip Dimensions:

A=7.5mm, B=3.2mm, C=4.0mm



5	Dielectric	Delrin	White
4	Coupling Nut	Zinc Alloy	Nickel
3	Ferrule	Brass	Nickel
2	Pin	Brass	Gold
1	Body	Zinc Alloy	Nickel
	Description	Material	Finish

Unless otherwise specified tolerances
 0.5-5 = ±0.2
 >5-30 = ±0.4
 >30-120 = ±0.6
 >120-315 = ±1.0
 >315-1000 = ±1.6
 Angles = ±5°
 Units = mm

This document is the confidential property of Gigatronix Limited and may not be copied, reproduced or transmitted to any third party without written authorisation.



Part Number BN15-1694-C06D-Z

Title: BNC HDTV 12G SDI Crimp Plug, Nickel Plated, Belden 1694A, 4694R, 1694ANH, Image 1000

Author	PJP
Drawn by	PJP
Drawing date	25/09/2015
Checked by	GP
Checked date	28/09/2015
Scale	Not to scale