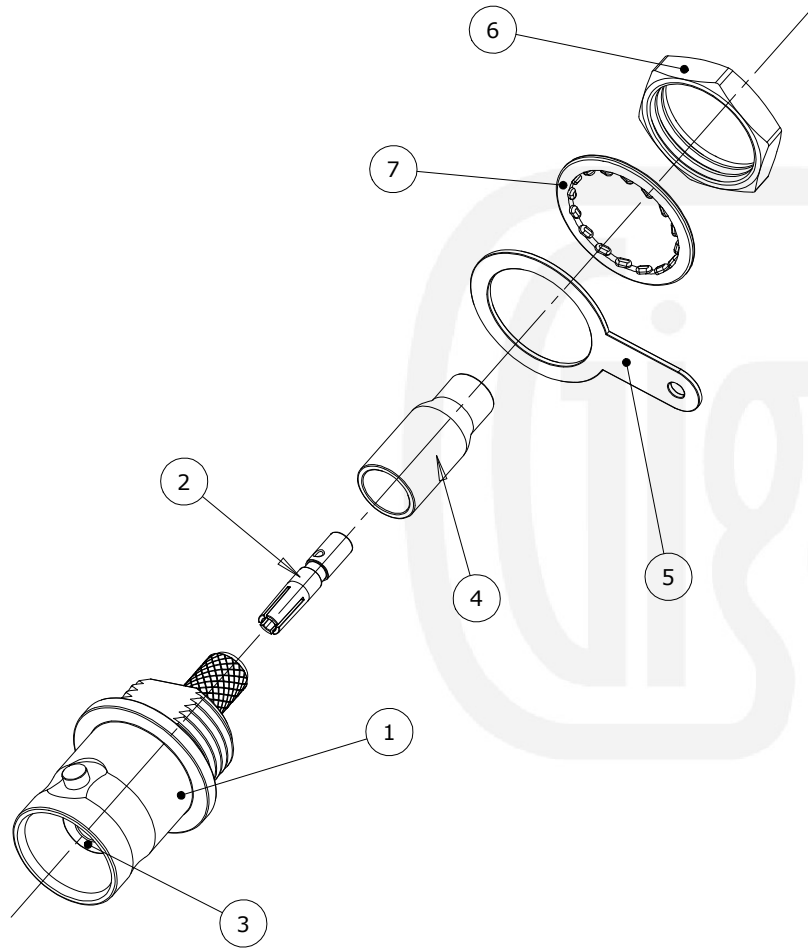


Revisions

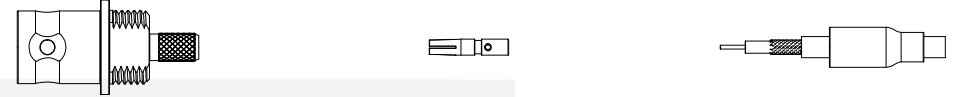
| Issue | Date       | Note                |
|-------|------------|---------------------|
| 1     | 24/08/2020 | See note GTXPDC/194 |

ASSEMBLY VIEW



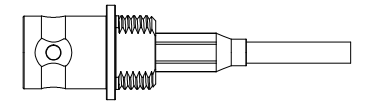
Assembly Instructions

1) Slide the ferrule onto the cable and strip the cable to the dimensions as shown, taking care not to nick the centre conductor or braid.



2) Crimp the contact onto the centre core and slide the contact into the body until fully located, ensuring that the cable braid is on the outside of the connector mandril.

3) Slide the ferrule forward and crimp.

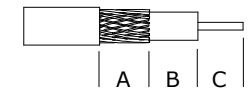


Crimp Hex. Sizes:

4.52mm Hex, 1.69mm Hex.

Strip Dimensions:

A=8.0mm, B=3.0mm, C=3.0mm



| Description  | Material | Finish |
|--------------|----------|--------|
| 7 Washer     | SS41     | Nickel |
| 6 Lock Nut   | Brass    | Nickel |
| 5 Solder Tag | SS41     | Nickel |
| 4 Ferrule    | Brass    | Nickel |
| 3 Dielectric | PTFE     | White  |
| 2 Contact    | Brass    | Gold   |
| 1 Body       | Brass    | Nickel |

Unless otherwise specified tolerances  
 0.5-5 = ±0.2  
 >5-30 = ±0.4  
 >30-120 = ±0.6  
 >120-315 = ±1.0  
 >315-1000 = ±1.6  
 Angles = ±5°  
 Units = mm

This document is the confidential property of Gigatronix Limited and may not be copied, reproduced or transmitted to any third party without written authorisation.



Part Number BN62-0174-C06

Title: BNC Crimp Panel Jack, Front Entry, Nickel Plated, PTFE Dielectric, RG174, RG316, LBC100

|              |              |
|--------------|--------------|
| Author       | PJP          |
| Drawn by     | PJP          |
| Drawing date | 24/08/2020   |
| Checked by   | SM           |
| Checked date | 17/03/2021   |
| Scale        | Not to scale |