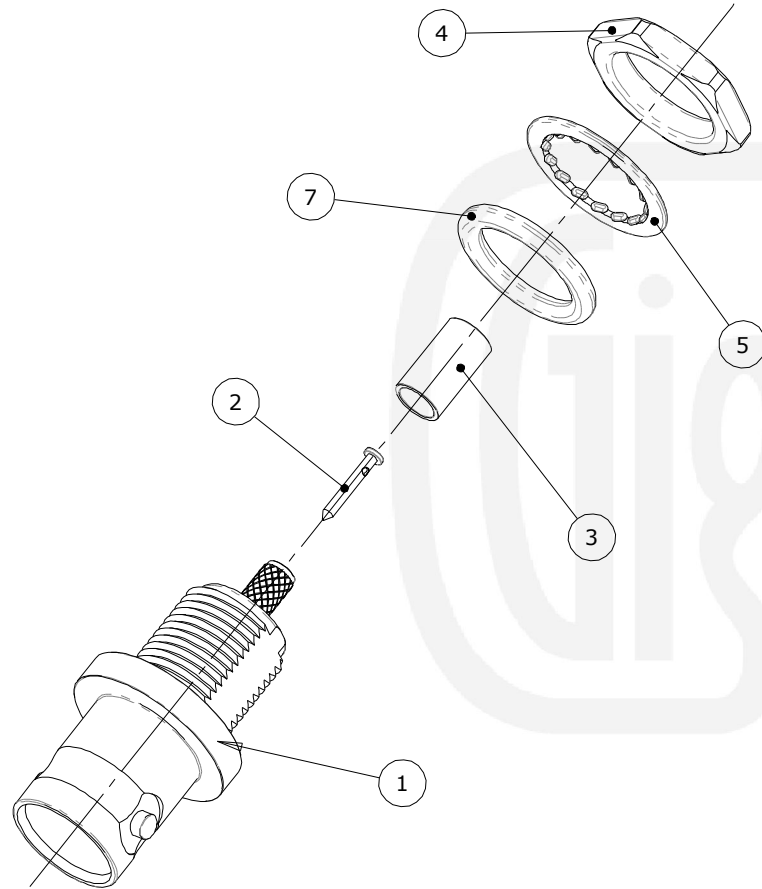


Revisions

Issue	Date	Note
2	19/10/2015	See note 268555362

ASSEMBLY VIEW



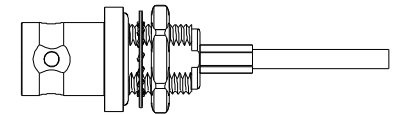
Assembly Instructions

1) Slide the ferrule onto the cable and strip the cable to the dimensions as shown, taking care not to nick the centre conductor or braid.



2) Crimp the pin onto the centre core and slide the contact into the body until fully located, ensuring that the cable braid is on the outside of the connector mandril.

3) Slide the ferrule forward and crimp.

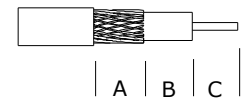


Crimp Hex. Sizes:

3.25mm Hex, 0.72mm Square

Strip Dimensions:

A=5.5mm, B=5.0mm, C=2.5mm



7	O Ring	Silicon Rubber	Black
6	Dielectric	PTFE	White
5	Washer	Steel	Nickel
4	Lock Nut	Brass	Nickel
3	Ferrule	Brass	Nickel
2	Pin - Contact	Brass	Gold
1	Body	Brass	Nickel
	Description	Material	Finish

Unless otherwise specified tolerances
 0.5-5 = ±0.2
 >5-30 = ±0.4
 >30-120 = ±0.6
 >120-315 = ±1.0
 >315-1000 = ±1.6
 Angles = ±5°
 Units = mm

This document is the confidential property of Gigatronix Limited and may not be copied, reproduced or transmitted to any third party without written authorisation.



Author	PJP
Drawn by	PJP
Drawing date	01/04/2015
Checked by	GP
Checked date	19/10/2015
Scale	Not to scale

Part Number BN62-3161-C06WP
Title: BNC Waterproof Crimp Panel Jack, IP68, Nickel Plated, RG174, LBC100, RG316