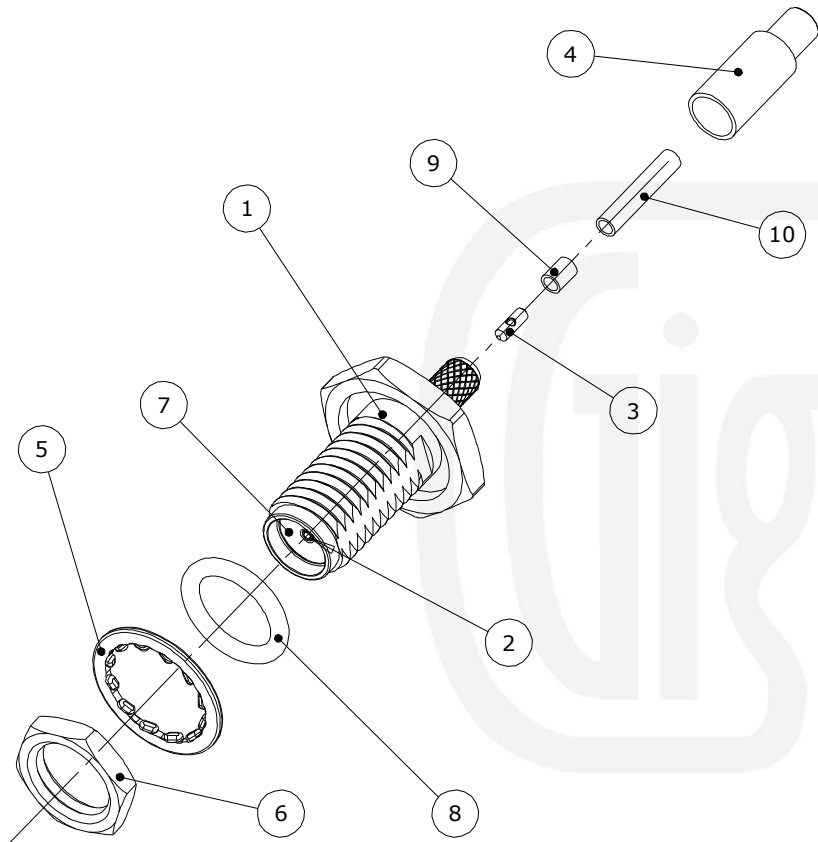


Revisions

Issue	Date	Note
1	29/01/2018	See note 469674869

ASSEMBLY VIEW



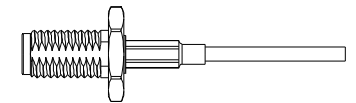
Assembly Instructions:

1) Slide the ferrule onto the cable and strip the cable to the dimensions as shown, taking care not to nick the centre conductor or braid



2) Slide the tube onto the cable and under the braid, then slide the insulator onto the cable. Solder the pin onto the centre conductor and slide the pin into the body, ensuring that the cable braid is on the outside of the connector mandril and that the centre pin is captivated.

3) Slide the ferrule forward and crimp

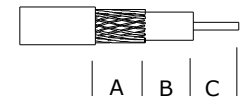


Crimp Hex. Sizes:

3.25mm Hex, Solder Centre Core

Strip Dimensions:

A=9.0mm, B=1.0mm, C=2.5mm



10	Tube	Brass	Nickel
9	Insulator	PTFE	White
8	O Ring	Silicone	Black
7	Dielectric	PTFE	White
6	Lock Nut	Brass	Gold
5	Washer	Phosphor Bronze	Gold
4	Ferrule	Brass	Gold
3	Pin	Brass	Gold
2	Contact	Beryllium Copper	Gold
1	Body	Brass	Gold
	Description	Material	Finish

Unless otherwise specified tolerances
 0.5-5 = ±0.2
 >5-30 = ±0.4
 >30-120 = ±0.6
 >120-315 = ±1.0
 >315-1000 = ±1.6
 Angles = ±5°
 Units = mm

This document is the confidential property of Gigatronix Limited and may not be copied, reproduced or transmitted to any third party without written authorisation.



Author	PJP
Drawn by	PJP
Drawing date	29/01/2018
Checked by	TM
Checked date	31/01/2018
Scale	3 : 1

Part Number MA02-0178-C01WP

Title: SMA Waterproof Crimp Bulkhead Jack, IP68, Gold Plated, RG178