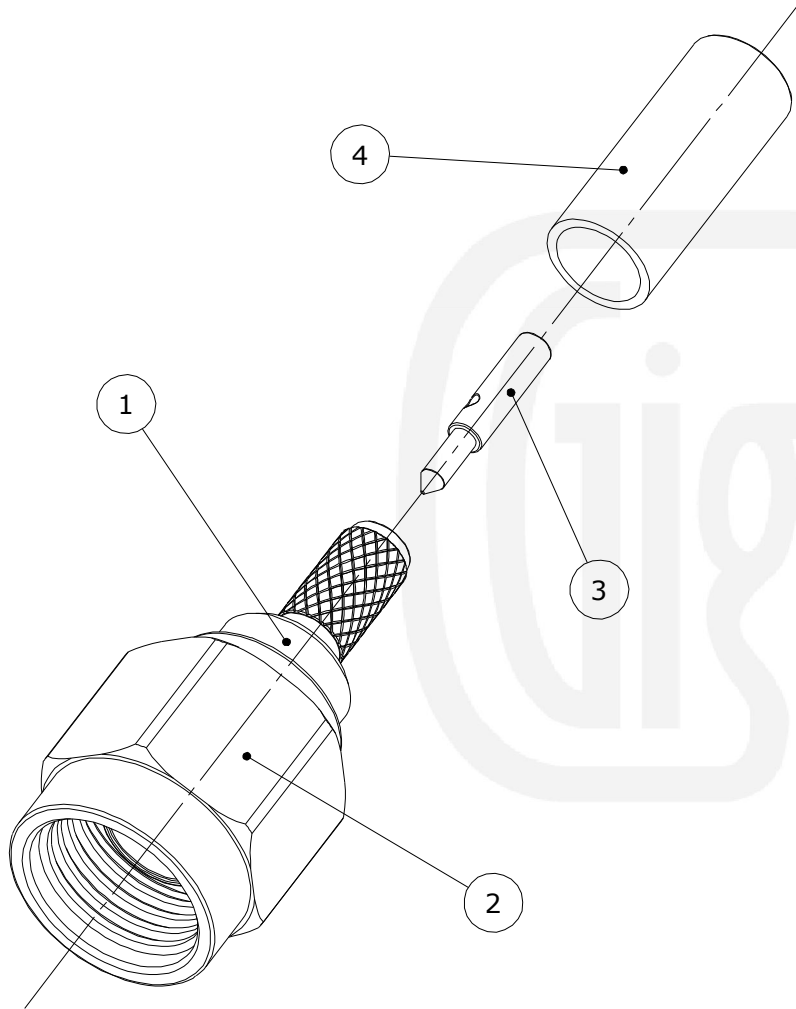


**Revisions**

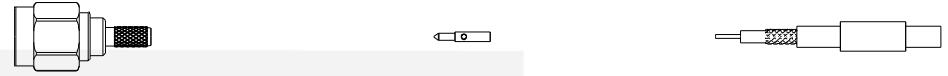
Issue	Date	Note
5	27/10/2017	See note 224395734

**ASSEMBLY VIEW**



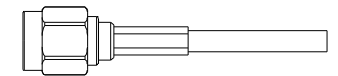
**Assembly Instructions**

1) Slide the ferrule onto the cable and strip the cable to the dimensions as shown, taking care not to nick the centre conductor or braid.



2) Solder the pin onto the centre core and slide the pin into the body, ensuring that the cable braid is on the outside of the connector mandril and that the pin is located in accordance with MIL-C-39012 interface dimensional requirements.

3) Slide the ferrule forward and crimp.

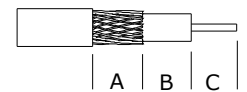


**Crimp Hex. Sizes:**

3.25mm Hex, Solder centre core

**Strip Dimensions:**

A=6.0mm, B=4.5mm, C=3.5mm



Description	Material	Finish
5 Dielectric	PTFE	White
4 Ferrule	Brass	Gold
3 Pin	Brass	Gold
2 Coupling Nut	Brass	Gold
1 Body	Brass	Gold

Unless otherwise specified tolerances  
 0.5-5 = ±0.2  
 >5-30 = ±0.4  
 >30-120 = ±0.6  
 >120-315 = ±1.0  
 >315-1000 = ±1.6  
 Angles = ±5°  
 Units = mm

This document is the confidential property of Gigatronix Limited and may not be copied, reproduced or transmitted to any third party without written authorisation.



<b>Author</b>	PJP
<b>Drawn by</b>	PJP
<b>Drawing date</b>	16/09/2013
<b>Checked by</b>	DB
<b>Checked date</b>	27/10/2017
<b>Scale</b>	Not to scale

**Part Number** MA15-0174-C01  
**Title:** SMA Crimp Plug, Gold Plated, RG174, LBC100, RG316