

Revisions

| Issue | Date | Note |
|-------|------------|--------------------|
| 1 | 13/07/2017 | See note 434440457 |

ASSEMBLY VIEW

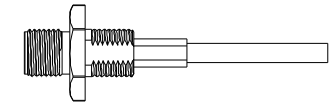
Assembly Instructions:

1) Slide the ferrule onto the cable and strip the cable to the dimensions as shown, taking care not to nick the centre conductor or braid



2) Crimp the pin onto the centre core and slide the pin into the body, ensuring that the cable braid is on the outside of the connector mandril and that the pin is fully located

3) Slide the ferrule forward and crimp

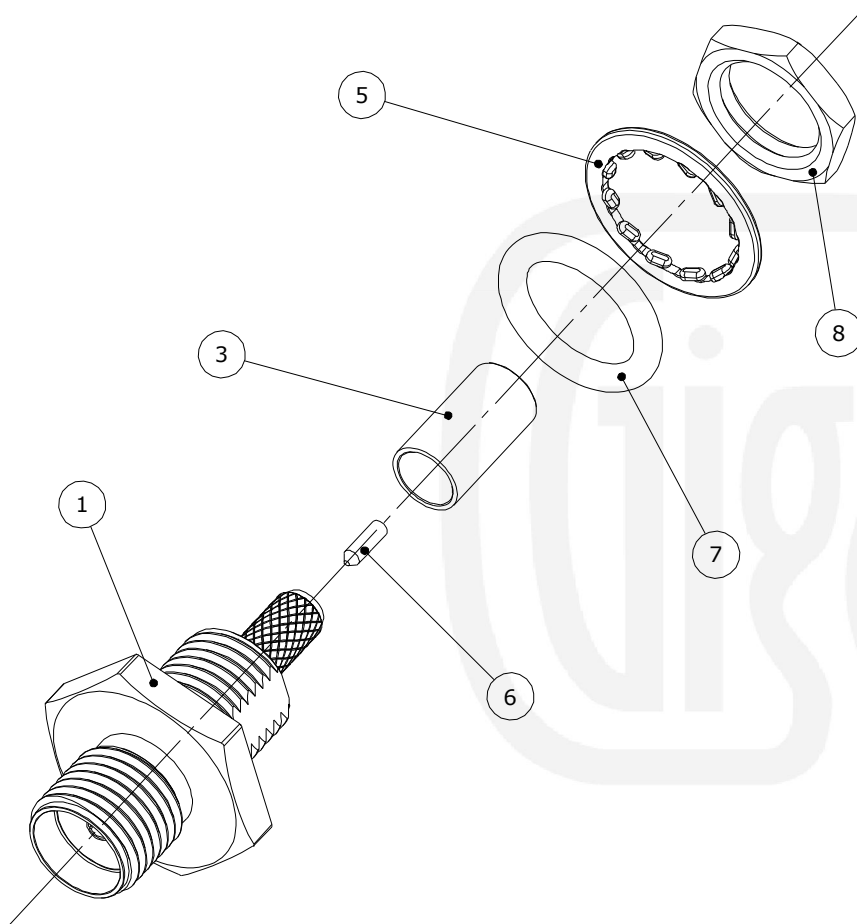
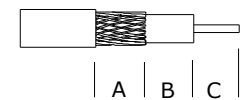


Crimp Hex. Sizes:

3.25mm Hex, 0.72mm Square

Strip Dimensions:

A=5.8mm, B=2.4mm, C=2.0mm



| | | | |
|---|--------------------|------------------|---------------|
| 8 | Lock Nut | Brass | Gold |
| 7 | O Ring | Silicone | Black |
| 6 | Pin | Brass | Gold |
| 5 | Washer | Phosphor Bronze | Gold |
| 4 | Dielectric | PTFE | White |
| 3 | Ferrule | Brass | Gold |
| 2 | Contact | Beryllium Copper | Gold |
| 1 | Body | Brass | Gold |
| | Description | Material | Finish |

Unless otherwise specified tolerances
 0.5-5 = ±0.2
 >5-30 = ±0.4
 >30-120 = ±0.6
 >120-315 = ±1.0
 >315-1000 = ±1.6
 Angles = ±5°
 Units = mm

This document is the confidential property of Gigatronix Limited and may not be copied, reproduced or transmitted to any third party without written authorisation.



| | |
|---------------------|--------------|
| Author | PJP |
| Drawn by | PJP |
| Drawing date | 13/07/2017 |
| Checked by | DB |
| Checked date | 24/08/2017 |
| Scale | Not to scale |

Part Number MA62-3161-C01WP
Title: SMA Waterproof Crimp Panel Jack, IP68, Gold Plated, RG174, LBC100, RG316