

Revisions

Issue	Date	Note
1	19/03/2018	See note 477991918

ASSEMBLY VIEW

Assembly Instructions

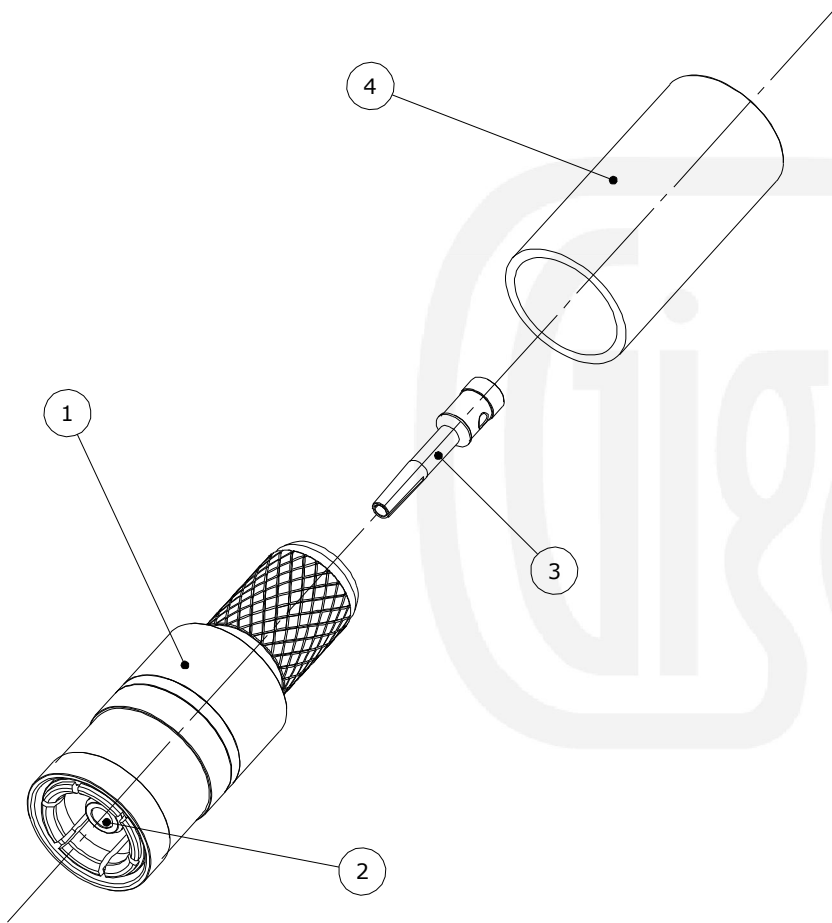
1) Slide the ferrule onto the cable and strip the cable to the dimensions as shown, taking care not to nick the centre conductor or braid.



2) Solder the contact onto the centre core and slide the contact into the body until it captivates, ensuring that the cable braid is on the outside of the connector mandril.



3) Slide the ferrule forward and crimp.

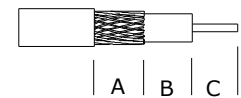


Crimp Hex. Sizes:

5.41mm Hex, Solder centre core

Strip Dimensions:

A=8.0mm, B=1.5mm, C=2.5mm



4	Ferrule	Brass	Gold
3	Contact	Beryllium Copper	Gold
2	Dielectric	PTFE	White
1	Body	Brass	Gold
	Description	Material	Finish

Unless otherwise specified tolerances
 0.5-5 = ±0.2
 >5-30 = ±0.4
 >30-120 = ±0.6
 >120-315 = ±1.0
 >315-1000 = ±1.6
 Angles = ±5°
 Units = mm

This document is the confidential property of Gigatronix Limited and may not be copied, reproduced or transmitted to any third party without written authorisation.



Author	PJP
Drawn by	PJP
Drawing date	19/03/2018
Checked by	DB
Checked date	05/04/2018
Scale	Not to scale

Part Number MB15-0058-C01
Title: SMB Crimp Plug, Gold Plated, RG58, LBC195, URM43