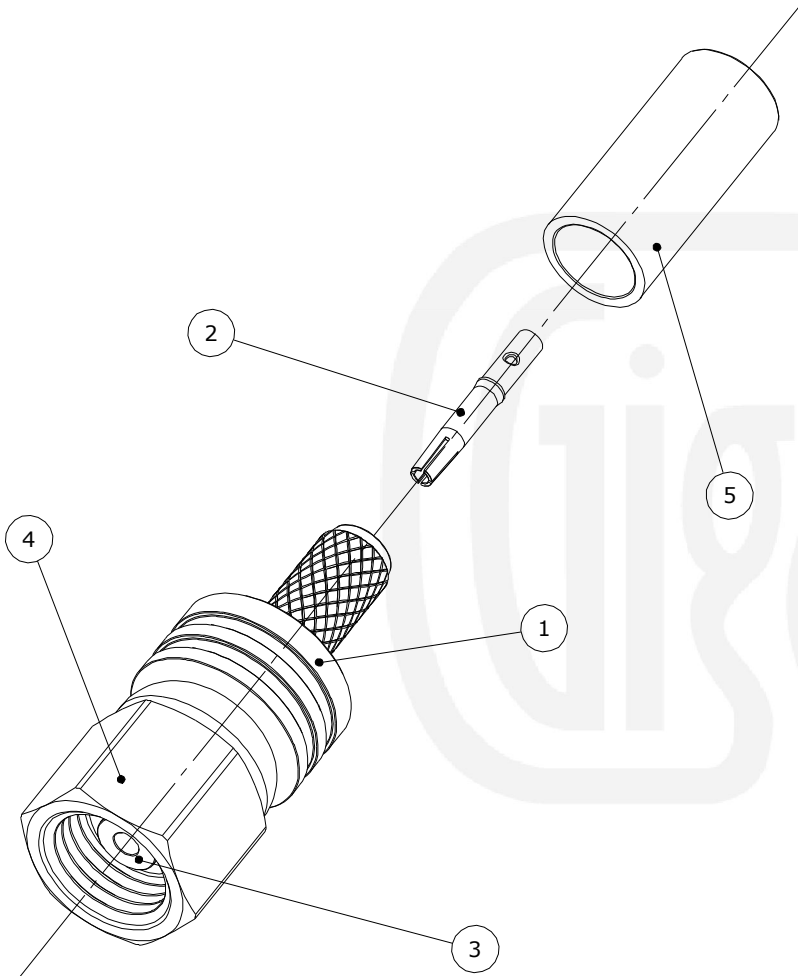


Revisions

Issue	Date	Note
1	22/11/2018	See note 522186568

ASSEMBLY VIEW



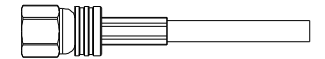
Assembly Instructions:

1) Slide the ferrule onto the cable and strip the cable to the dimensions as shown, taking care not to nick the centre conductor or braid



2) Crimp the contact onto the centre core and slide the contact into the body, ensuring that the cable braid is on the outside of the connector mandril and that the contact is fully captivated

3) Slide the ferrule forward and crimp

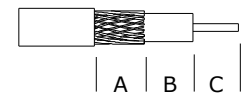


Crimp Hex. Sizes:

3.25mm Hex, 0.72mm Sq.

Strip Dimensions:

A=6.0mm, B=2.5mm, C=2.5mm



5	Ferrule	Brass	Gold
4	Coupling Nut	Brass	Gold
3	Dielectric	PTFE	White
2	Contact	Beryllium Copper	Gold
1	Body	Brass	Gold
	Description	Material	Finish

Unless otherwise specified tolerances
 0.5-5 = ±0.2
 >5-30 = ±0.4
 >30-120 = ±0.6
 >120-315 = ±1.0
 >315-1000 = ±1.6
 Angles = ±5°
 Units = mm

This document is the confidential property of Gigatronix Limited and may not be copied, reproduced or transmitted to any third party without written authorisation.



Author	PJP
Drawn by	PJP
Drawing date	22/11/2018
Checked by	DB
Checked date	04/12/2018
Scale	Not to scale

Part Number MC15-0174-C01

Title: SMC Crimp Plug, Gold Plated, RG174, LBC100, RG316