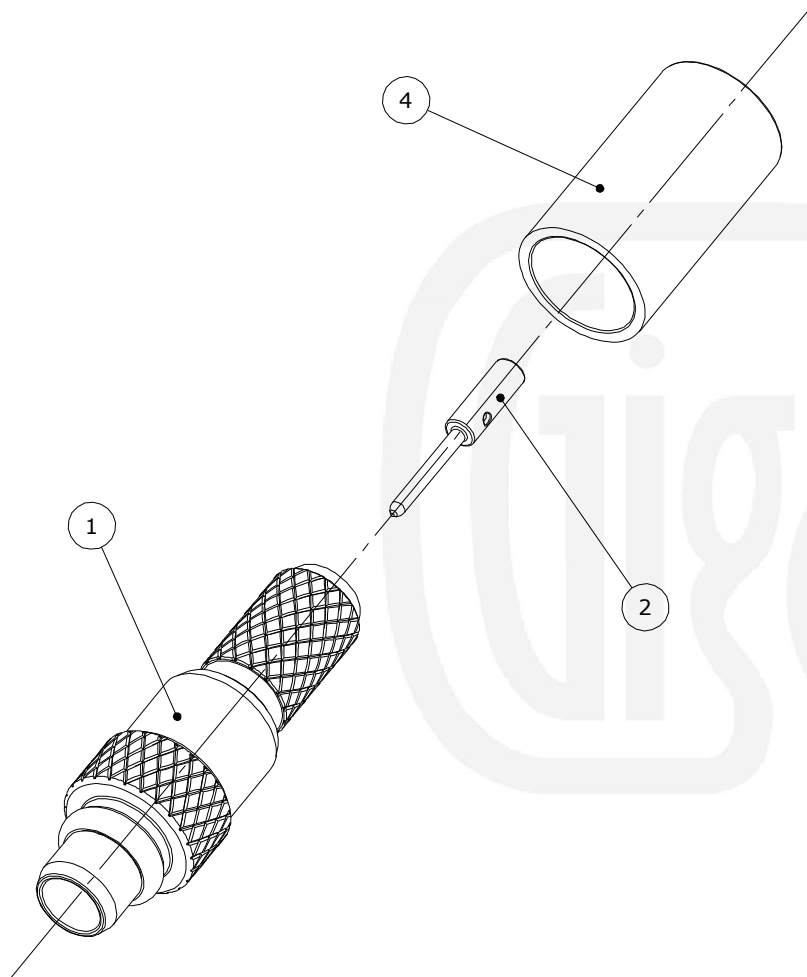


**Revisions**

Issue	Date	Note
1	08/11/2018	See note 519714455

**ASSEMBLY VIEW**



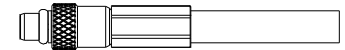
**Assembly Instructions**

1) Slide the ferrule onto the cable and strip the cable to the dimensions as shown, taking care not to nick the centre conductor or braid.



2) Crimp the pin onto the centre core and slide the pin into the body until fully located, ensuring that the cable braid is on the outside of the connector mandril.

3) Slide the ferrule forward and crimp.

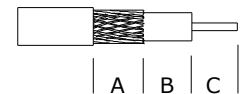


**Crimp Hex. Sizes:**

3.25mm Hex, 0.72mm Sq.

**Strip Dimensions:**

A=5.0mm, B=2.5mm, C=2.0mm



Description	Material	Finish
4 Ferrule	Brass	Gold
3 Dielectric	PTFE	White
2 Pin	Brass	Gold
1 Body	Brass	Gold

Unless otherwise specified tolerances  
 0.5-5 = ±0.2  
 >5-30 = ±0.4  
 >30-120 = ±0.6  
 >120-315 = ±1.0  
 >315-1000 = ±1.6  
 Angles = ±5°  
 Units = mm

This document is the confidential property of Gigatronix Limited and may not be copied, reproduced or transmitted to any third party without written authorisation.



<b>Author</b>	PJP
<b>Drawn by</b>	PJP
<b>Drawing date</b>	08/11/2018
<b>Checked by</b>	DB
<b>Checked date</b>	09/11/2018
<b>Scale</b>	Not to scale

<b>Part Number</b>	MM15-0174-C01
<b>Title:</b>	MMCX Crimp Plug, Gold Plated, RG174, LBC100, RG316