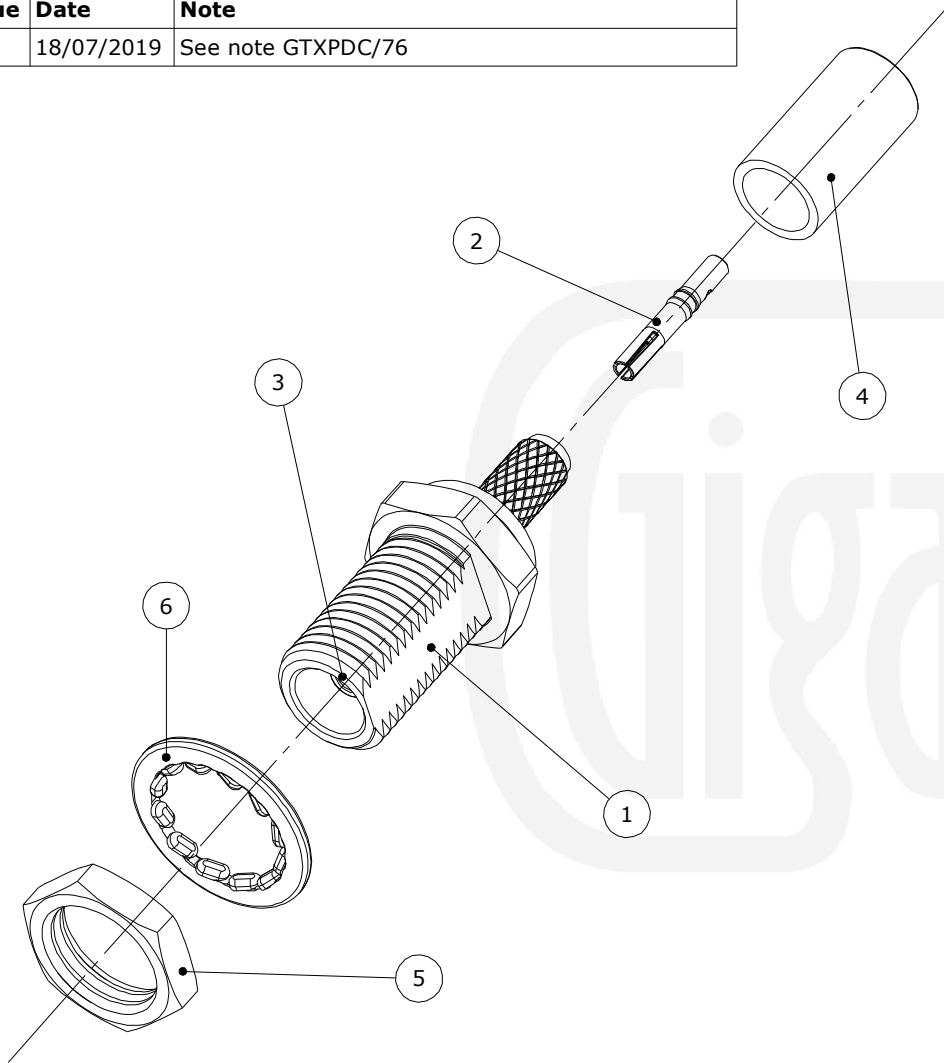


Revisions

Issue	Date	Note
1	18/07/2019	See note GTXPDC/76

ASSEMBLY VIEW

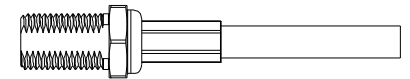


Assembly Instructions

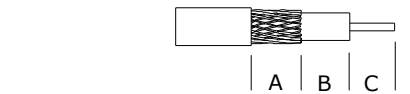
1) Slide the ferrule onto the cable and strip the cable to the dimensions as shown, taking care not to nick the centre conductor or braid.



2) Crimp the contact onto the centre core and slide the contact into the body, ensuring that the cable braid is on the outside of the connector mandril and that the contact is fully located.



3) Slide the ferrule forward and crimp.



Crimp Hex. Sizes:

3.25mm Hex, 0.72mm Square

Strip Dimensions:

A=5.0mm, B=3.0mm, C=2.0mm

6	Washer	Brass	Gold
5	Lock Nut	Brass	Gold
4	Ferrule	Brass	Gold
3	Dielectric	PTFE	White
2	Contact	Beryllium Copper	Gold
1	Body	Brass	Gold
	Description	Material	Finish

Unless otherwise specified tolerances
 0.5-5 = ±0.2
 >5-30 = ±0.4
 >30-120 = ±0.6
 >120-315 = ±1.0
 >315-1000 = ±1.6
 Angles = ±5°
 Units = mm

This document is the confidential property of Gigatronix Limited and may not be copied, reproduced or transmitted to any third party without written authorisation.



Author	PJP
Drawn by	PJP
Drawing date	18/07/2019
Checked by	DB
Checked date	19/12/2019
Scale	Not to scale

Part Number MX02-0174-C01
Title: MCX Crimp Bulkhead Jack, Gold Plated, 50 ohms, RG174, LBC100, RG316