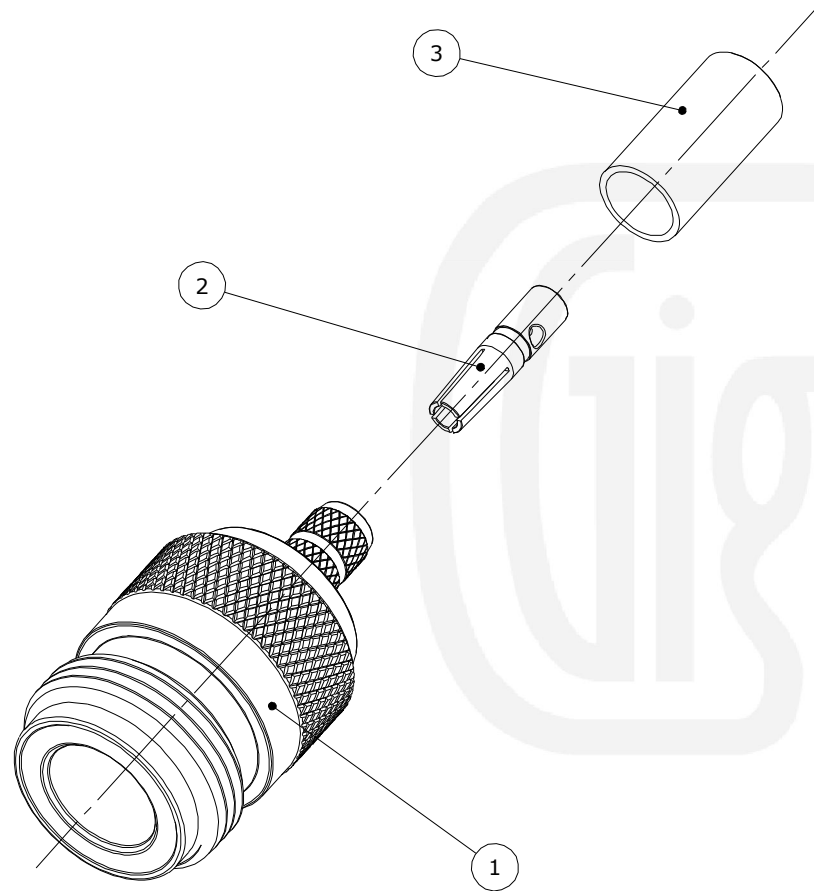


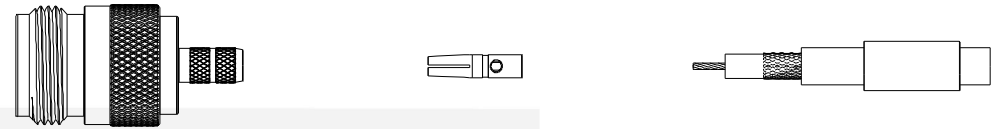
Revisions		
Issue	Date	Note
2	12/03/2018	See note 477395694

ASSEMBLY VIEW

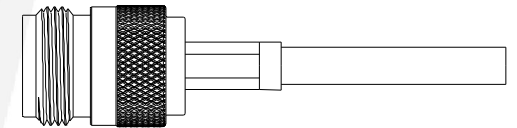


Assembly Instructions:

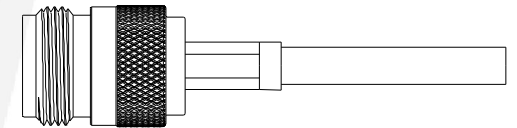
1) Slide the ferrule onto the cable and strip the cable to the dimensions as shown, taking care not to nick the centre conductor or braid



2) Crimp the contact onto the centre core and slide the contact into the body until it captivates, ensuring that the cable braid is on the outside of the connector mandril



3) Slide the ferrule forward and crimp

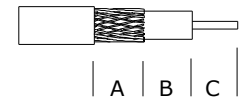


Crimp Hex. Sizes:

5.41mm Hex, 2.54mm Hex

Strip Dimensions:

A=8.5mm, B=5.0mm, C=4.5mm



4	Dielectric	PTFE	White
3	Ferrule	Brass	Nickel
2	Contact	Phosphor Bronze	Gold
1	Body	Brass	Nickel
	Description	Material	Finish

Unless otherwise specified tolerances
 0.5-5 = ± 0.2
 >5-30 = ± 0.4
 >30-120 = ± 0.6
 >120-315 = ± 1.0
 >315-1000 = ± 1.6
 Angles = $\pm 5^\circ$
 Units = mm

This document is the confidential property of Gigatronix Limited and may not be copied, reproduced or transmitted to any third party without written authorisation.

Gigatronix

Author	PJP
Drawn by	PJP
Drawing date	13/04/2017
Checked by	DB
Checked date	18/04/2017
Scale	Not to scale

Part Number NT10-0058-C06

Title: N Type Crimp Jack, Nickel Plated, RG58, LBC195, URM43