

Revisions

Issue	Date	Note
1	06/02/2019	See note 519395727

ASSEMBLY VIEW

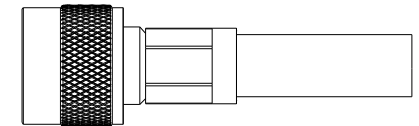
Assembly Instructions:

1) Slide the ferrule onto the cable and strip the cable to the dimensions as shown, taking care not to nick the centre conductor or braid.



2) Crimp the pin onto the centre core and slide the pin into the body until fully captivated, ensuring that the cable braid is on the outside of the connector mandril.

3) Slide the ferrule forward and crimp.

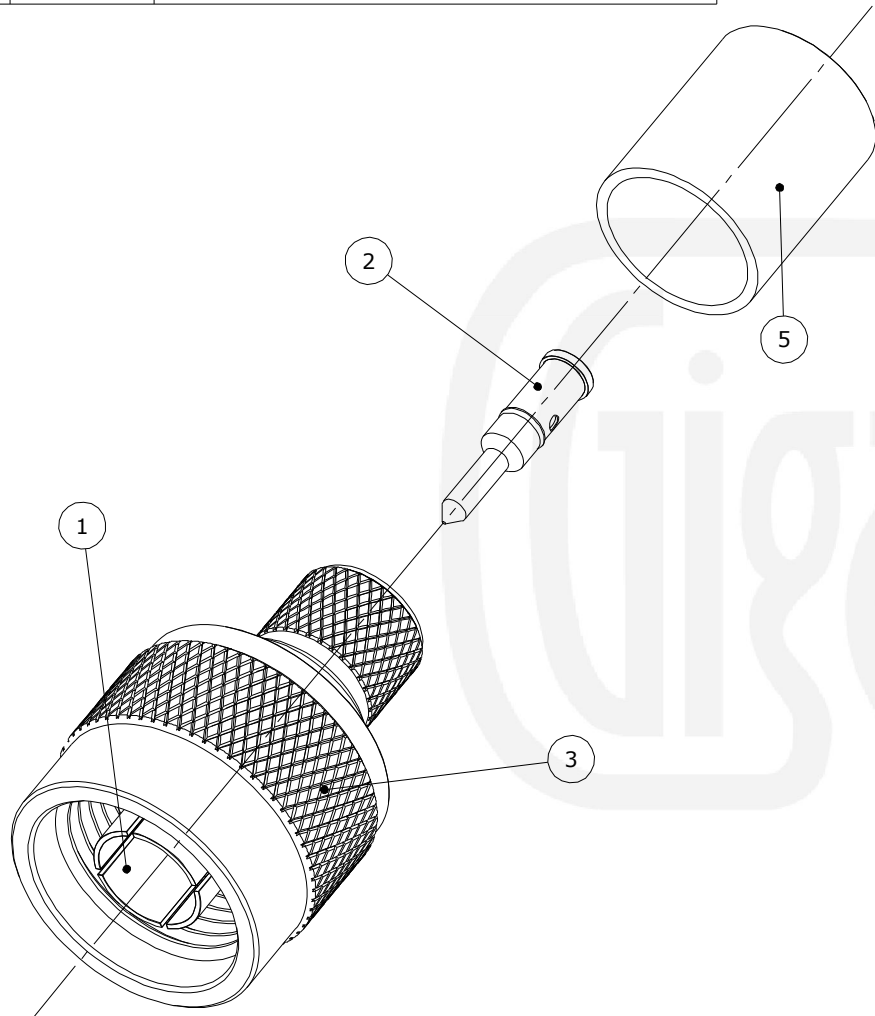
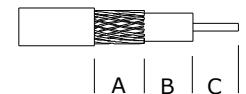


Crimp Hex. Sizes:

10.90mm Hex., 2.95mm Hex

Strip Dimensions:

A=10.0mm, B=1.0mm, C=4.0mm



Description	Material	Finish
5 Ferrule	Brass	Nickel
4 Dielectric	PTFE	White
3 Coupling Nut	Brass	Nickel
2 Pin	Brass	Gold
1 Body	Brass	Nickel

Unless otherwise specified tolerances
 0.5-5 = ±0.2
 >5-30 = ±0.4
 >30-120 = ±0.6
 >120-315 = ±1.0
 >315-1000 = ±1.6
 Angles = ±5°
 Units = mm

This document is the confidential property of Gigatronix Limited and may not be copied, reproduced or transmitted to any third party without written authorisation.



Author	PJP
Drawn by	PJP
Drawing date	06/02/2019
Checked by	DB
Checked date	12/02/2019
Scale	Not to scale

Part Number	NT15-0519-C06
Title:	N Type Crimp Plug, Nickel Plated, LBC400, Belden 9913, RA519