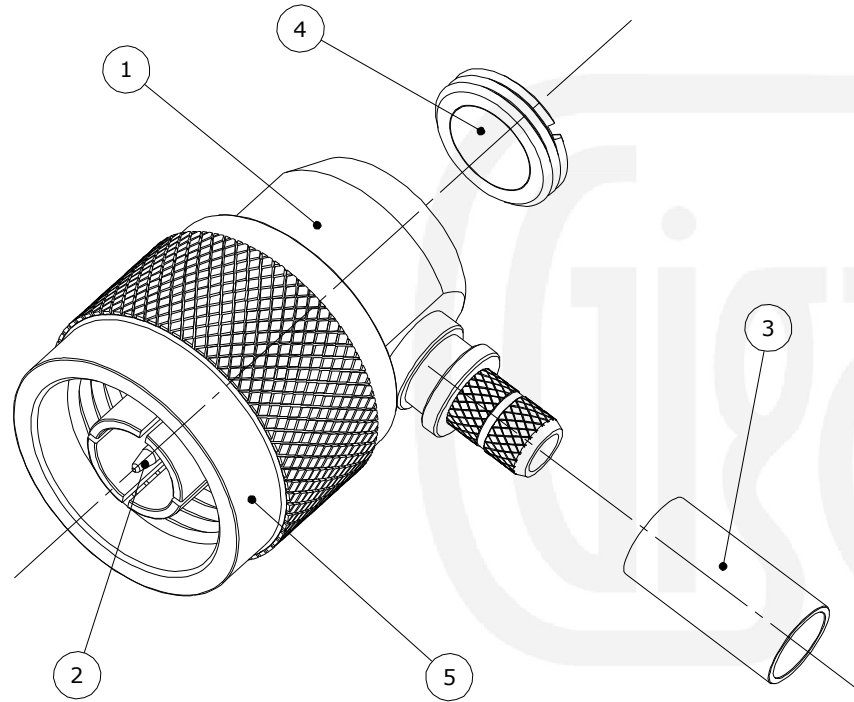


Revisions

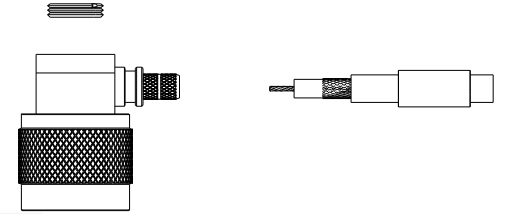
Issue	Date	Note
1	26/06/2017	See note 431328228

ASSEMBLY VIEW

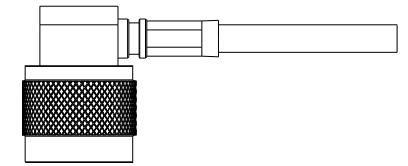


Assembly Instructions:

1) Slide the ferrule onto the cable and strip the cable to the dimensions as shown, taking care not to nick the centre conductor or braid



2) Insert the cable into the body, ensuring that the cable braid is on the outside of the connector mandril and that the centre core locates in the internal mounting post



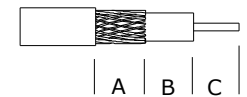
3) Slide the ferrule forward and crimp. Solder the centre core of the cable to the mounting post and screw in the end cap

Crimp Hex. Sizes:

5.41mm Hex, Solder centre core

Strip Dimensions:

A=7.0mm, B=11.0mm, C=2.0mm



Description	Material	Finish
6 Dielectric	PTFE	White
5 Coupling Nut	Brass	Nickel
4 End Cap	Brass	Nickel
3 Ferrule	Brass	Nickel
2 Pin	Brass	Gold
1 Body	Brass	Nickel

Unless otherwise specified tolerances
 0.5-5 = ±0.2
 >5-30 = ±0.4
 >30-120 = ±0.6
 >120-315 = ±1.0
 >315-1000 = ±1.6
 Angles = ±5°
 Units = mm

This document is the confidential property of Gigatronix Limited and may not be copied, reproduced or transmitted to any third party without written authorisation.



Part Number NT17-0400-C06

Title: N Type Crimp Right Angle Plug, Nickel Plated, RG142, RG223, RG400

Author	PJP
Drawn by	PJP
Drawing date	26/06/2017
Checked by	TM
Checked date	26/06/2017
Scale	Not to scale