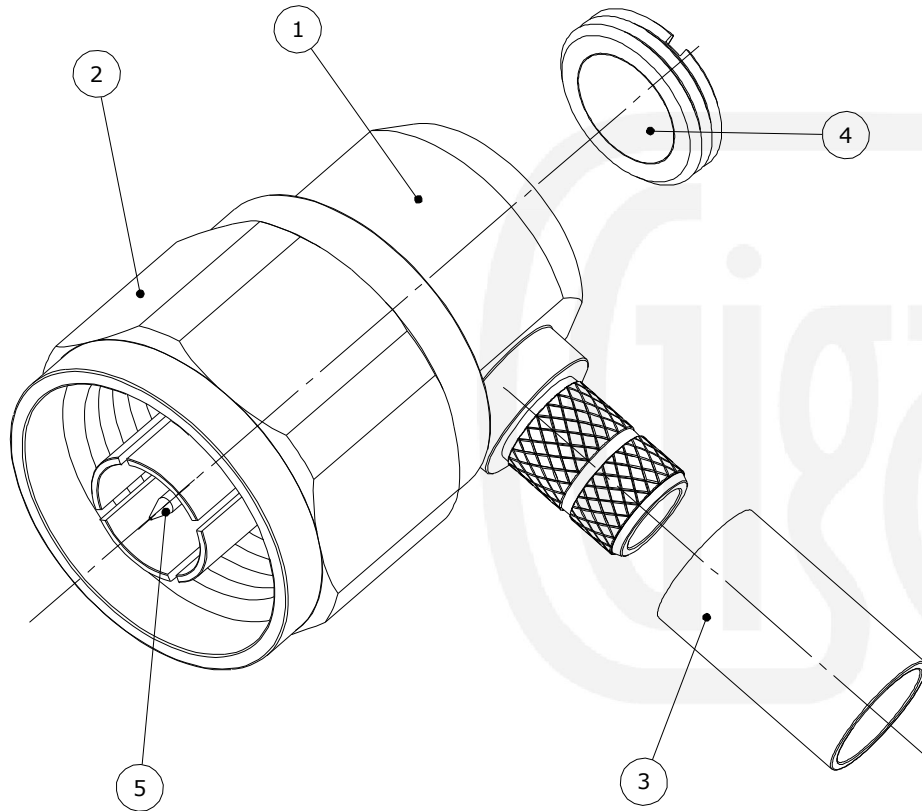


**Revisions**

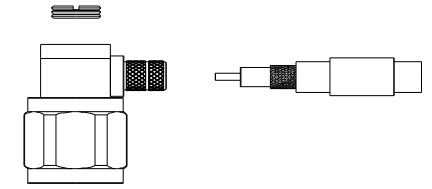
Issue	Date	Note
1	13/03/2018	See note 477648502

**ASSEMBLY VIEW**



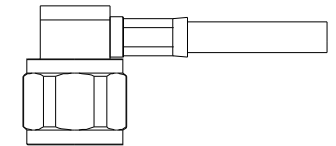
**Assembly Instructions:**

1) Slide the ferrule onto the cable and strip the cable to the dimensions as shown, taking care not to nick the centre conductor or braid



2) Insert the cable into the body, ensuring that the cable braid is on the outside of the connector mandril and that the centre core locates in the internal mounting post

3) Slide the ferrule forward and crimp. Solder the centre core of the cable to the mounting post and screw in the end cap

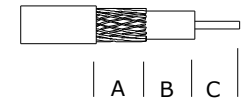


**Crimp Hex. Sizes:**

6.48mm Hex, Solder centre core

**Strip Dimensions:**

A=8.5mm, B=8.5mm, C=3.0mm



Description	Material	Finish
6 Dielectric	PTFE	White
5 Pin	Brass	Gold
4 End Cap	Brass	Nickel
3 Ferrule	Brass	Nickel
2 Coupling Nut	Brass	Nickel
1 Body	Brass	Nickel

Unless otherwise specified tolerances  
 0.5-5 = ±0.2  
 >5-30 = ±0.4  
 >30-120 = ±0.6  
 >120-315 = ±1.0  
 >315-1000 = ±1.6  
 Angles = ±5°  
 Units = mm

This document is the confidential property of Gigatronix Limited and may not be copied, reproduced or transmitted to any third party without written authorisation.



<b>Author</b>	PJP
<b>Drawn by</b>	PJP
<b>Drawing date</b>	13/03/2018
<b>Checked by</b>	DB
<b>Checked date</b>	15/03/2018
<b>Scale</b>	Not to scale

**Part Number** NT17-L240-C06  
**Title:** N Type Crimp Right Angle Plug, Nickel Plated, Hex Coupling Nut, LBC240