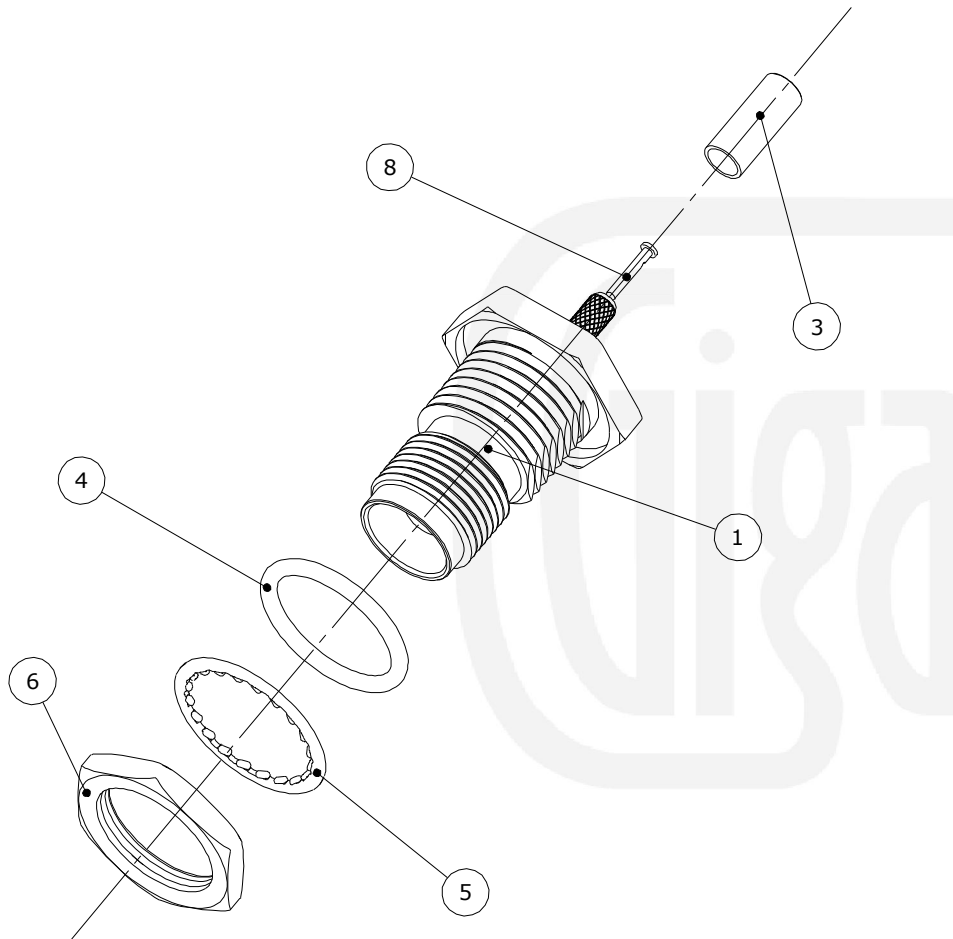


**Revisions**

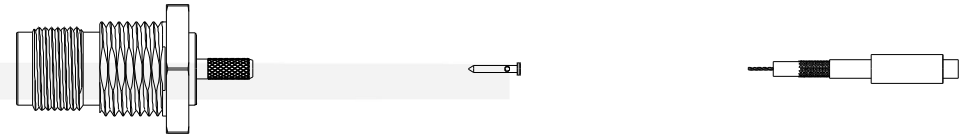
Issue	Date	Note
3	11/06/2019	See note GTXPDC/60

**ASSEMBLY VIEW**



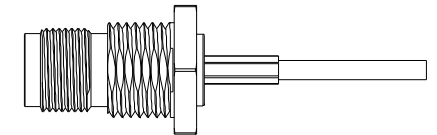
**Assembly Instructions**

1) Slide the ferrule onto the cable and strip the cable to the dimensions as shown, taking care not to nick the centre conductor or braid.



2) Solder the pin onto the centre core and slide into the body until fully located, ensuring that the cable braid is on the outside of the connector mandril.

3) Slide the ferrule forward and crimp.

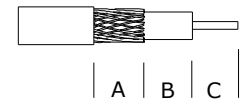


**Crimp Hex. Sizes:**

3.25mm Hex, Solder centre core

**Strip Dimensions:**

A=7.5mm, B=5.0mm, C=2.5mm



8	Pin	Brass	Gold
7	Dielectric	PTFE	White
6	Lock Nut	Brass	Nickel
5	Washer	Phosphor Bronze	Nickel
4	O Ring	Silicone	Black
3	Ferrule	Brass	Nickel
2	Contact	Phosphor Bronze	Gold
1	Body	Brass	Nickel
	<b>Description</b>	<b>Material</b>	<b>Finish</b>

Unless otherwise specified tolerances  
 0.5-5 = ±0.2  
 >5-30 = ±0.4  
 >30-120 = ±0.6  
 >120-315 = ±1.0  
 >315-1000 = ±1.6  
 Angles = ±5°  
 Units = mm

This document is the confidential property of Gigatronix Limited and may not be copied, reproduced or transmitted to any third party without written authorisation.



<b>Author</b>	PJP
<b>Drawn by</b>	PJP
<b>Drawing date</b>	24/04/2015
<b>Checked by</b>	DJB
<b>Checked date</b>	30/11/2017
<b>Scale</b>	Not to scale

**Part Number** TN02-3161-C06WP  
**Title:** TNC Waterproof Crimp Bulkhead Jack, IP68, Nickel Plated, RG174, LBC100, RG316