

Revisions

Issue	Date	Note
1	11/05/2017	See note 423257815

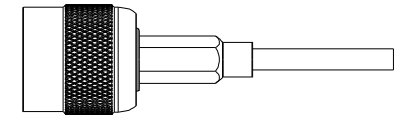
ASSEMBLY VIEW

Assembly Instructions:

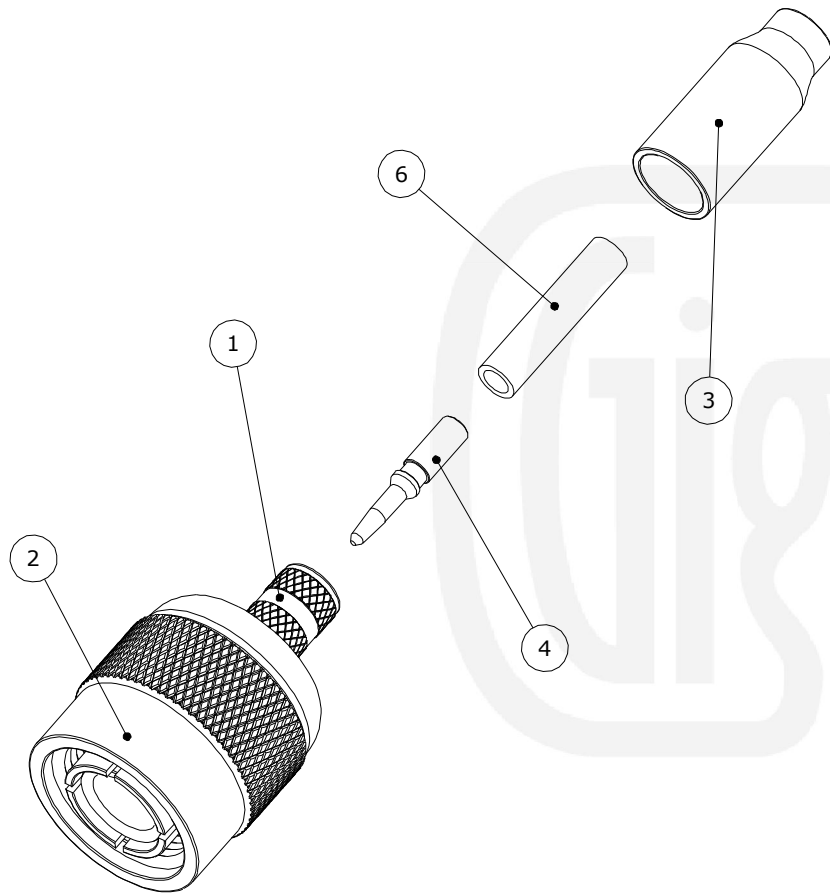
1) Slide the ferrule onto the cable and strip the cable to the dimensions as shown, taking care not to nick the centre conductor or braid



2) Open the cable braid and slide the insulator tube over the dielectric and under the braid. Crimp the pin onto the centre core and slide the pin into the body until it captivates, ensuring that the cable braid is on the outside of the connector mandril.

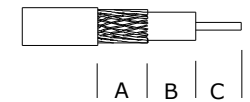


3) Slide the ferrule forward and crimp



Crimp Hex. Sizes:
1.69mm Hex, 5.41mm Hex

Strip Dimensions:
A=11.0mm, B=3.0mm, C=3.0mm



Description	Material	Finish
6 Insulator	Delrin	White
5 Dielectric	Delrin	White
4 Pin	Brass	Gold
3 Ferrule	Brass	Nickel
2 Coupling Nut	Brass	Nickel
1 Body	Zinc Alloy	Nickel

Unless otherwise specified tolerances
 0.5-5 = ±0.2
 >5-30 = ±0.4
 >30-120 = ±0.6
 >120-315 = ±1.0
 >315-1000 = ±1.6
 Angles = ±5°
 Units = mm

This document is the confidential property of Gigatronix Limited and may not be copied, reproduced or transmitted to any third party without written authorisation.



Author	PJP
Drawn by	PJP
Drawing date	11/05/2017
Checked by	DB
Checked date	12/05/2017
Scale	Not to scale

Part Number TN15-0174-C06D-1
Title: TNC Crimp Plug, Nickel Plated, RG174, LBC100, RG316