

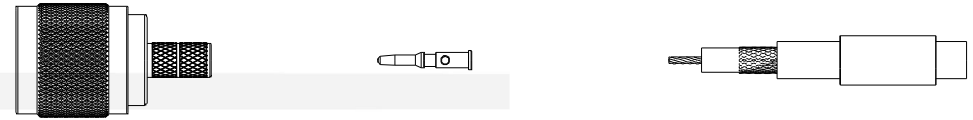
**Revisions**

Issue	Date	Note
1	26/05/2017	See note 426064688

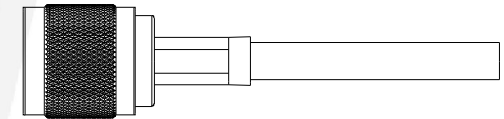
**ASSEMBLY VIEW**

**Assembly Instructions:**

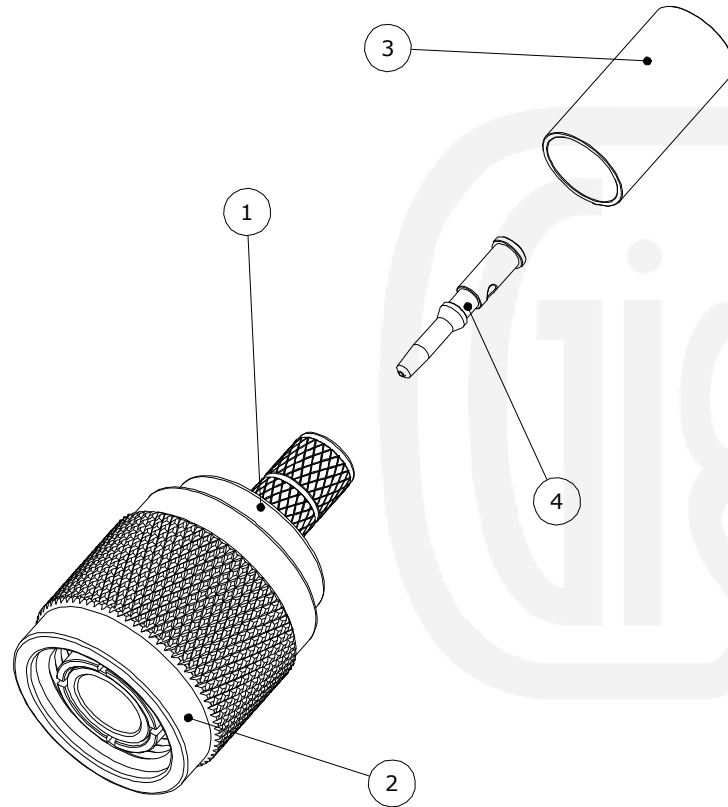
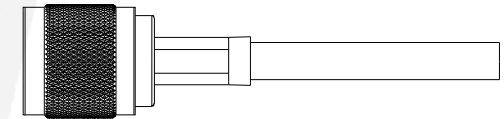
1) Slide the ferrule onto the cable and strip the cable to the dimensions as shown, taking care not to nick the centre conductor or braid



2) Crimp the pin onto the centre core and slide the pin into the body until it captivates, ensuring that the cable braid is on the outside of the connector mandril



3) Slide the ferrule forward and crimp

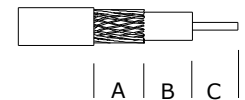


**Crimp Hex. Sizes:**

1.73mm Hex, 5.41mm Hex

**Strip Dimensions:**

A=9.5mm, B=4.5mm, C=4.0mm



5	Dielectric	Delrin	White
4	Pin	Brass	Gold
3	Ferrule	Brass	Nickel
2	Coupling Nut	Brass	Nickel
1	Body	Brass	Nickel
	<b>Description</b>	<b>Material</b>	<b>Finish</b>

Unless otherwise specified tolerances  
 0.5-5 = ±0.2  
 >5-30 = ±0.4  
 >30-120 = ±0.6  
 >120-315 = ±1.0  
 >315-1000 = ±1.6  
 Angles = ±5°  
 Units = mm

This document is the confidential property of Gigatronix Limited and may not be copied, reproduced or transmitted to any third party without written authorisation.



<b>Author</b>	PJP
<b>Drawn by</b>	PJP
<b>Drawing date</b>	26/05/2017
<b>Checked by</b>	TM
<b>Checked date</b>	26/05/2017
<b>Scale</b>	Not to scale

**Part Number** TN15-0400-C06  
**Title:** TNC Crimp Plug, Nickel Plated, RG142, RG223, RG400