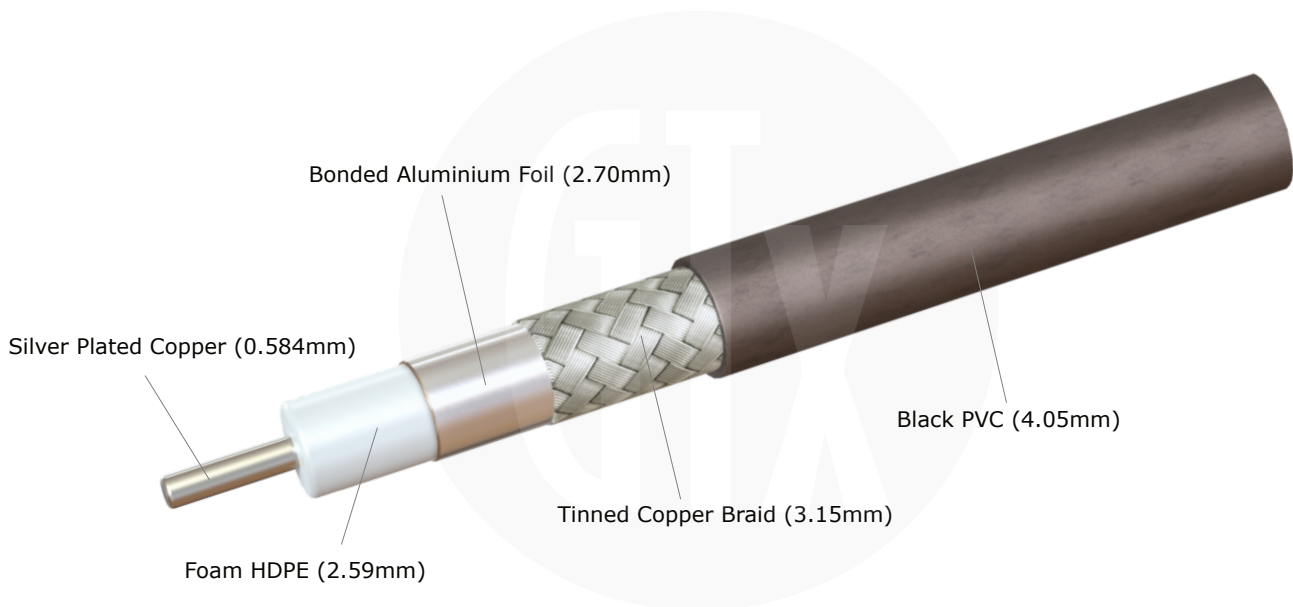


# 12G-SDI-M59

## Mini RG59 Digital Video Cable, 0.6/2.6



### MATERIAL SPECIFICATION

Inner Conductor	Silver Plated Copper (0.584mm)
Dielectric	Foam HDPE (2.59mm)
First Shield	Bonded Aluminium Foil (2.70mm)
Second Shield	Tinned Copper Braid (3.15mm)
Jacket	Black PVC (4.05mm)

### ELECTRICAL SPECIFICATION

Impedance	75 Ohms
Max. Frequency	DC to 12 GHz
Capacitance	53 pF/m
Velocity of Propagation	83%

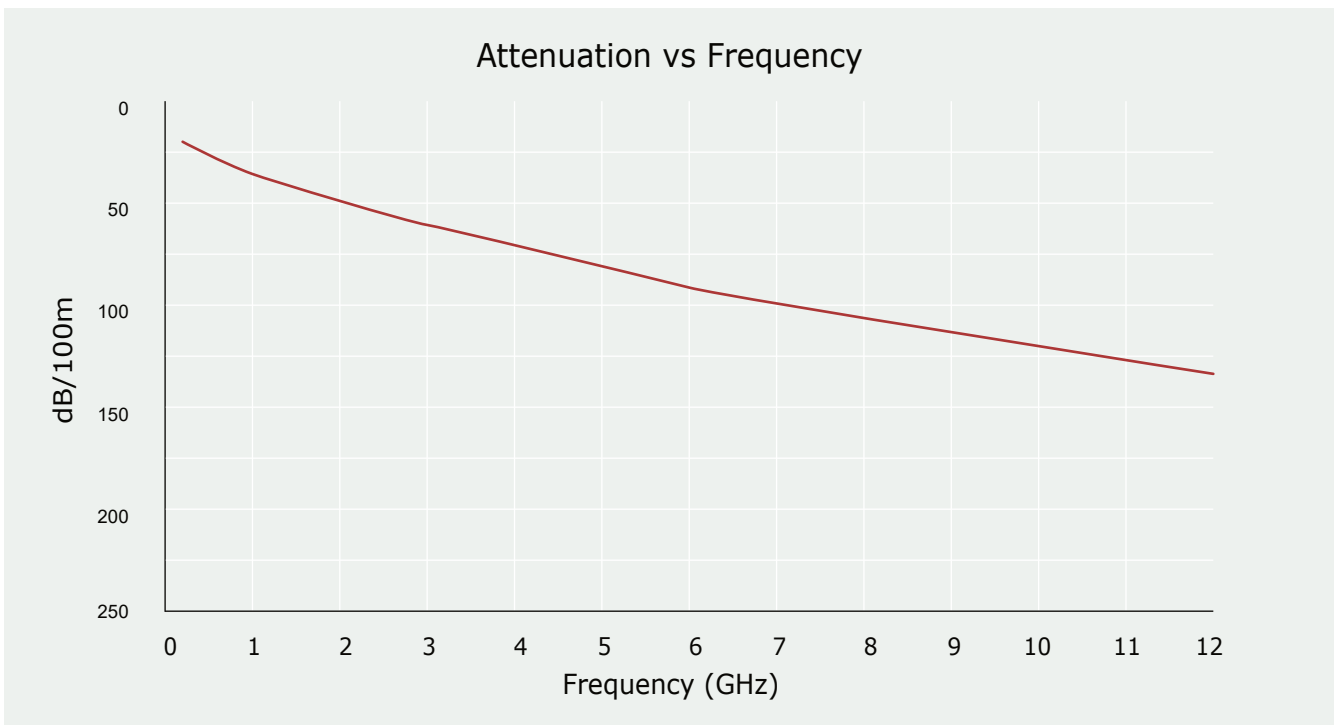
### MECHANICAL & ENVIRONMENTAL SPECIFICATION

Bending Radius (static)	14mm
Bending Radius (flexing)	46mm
RoHS Compliant	Yes
Temperature Range	-20 to +75 degrees C

# 12G-SDI-M59

## Mini RG59 Digital Video Cable, 0.6/2.6

FREQUENCY	ATTENUATION (per 100m)
270.000 MHz	17.84 dB
540.000 MHz	25.72 dB
1000.000 MHz	35.40 dB
3000.000 MHz	62.30 dB
6000.000 MHz	90.80 dB
12000.000 MHz	135.00 dB



### RECOMMENDED MAXIMUM TRANSMISSION LENGTH\*

- Single Link 3Gb/s (SMPTE ST425) maximum distance 94m
- Single Link 6Gb/s (SMPTE ST2081) maximum distance 66m
- Single Link 12Gb/s (SMPTE 2082, SMPTE 2083) maximum distance 45m

\*based on 40dB loss at 1/2 clock frequency