

Revisions

Issue	Date	Note
1	24/06/2025	See GTXPDC/1077



1. Mechanical

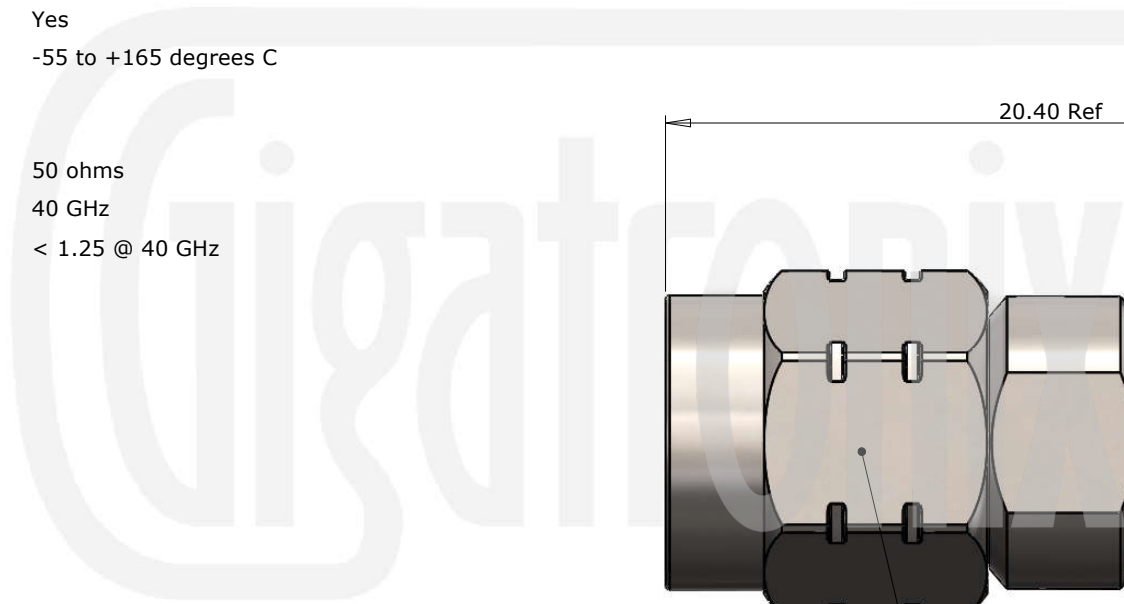
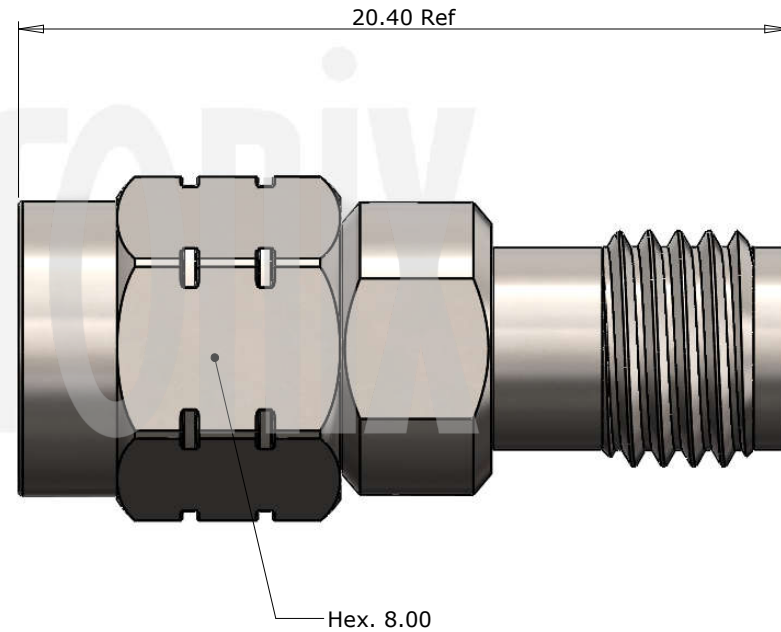
Durability 500 mating cycles

2. Environmental

RoHS Compliant Yes
 Temperature Range -55 to +165 degrees C

3. Electrical

Impedance 50 ohms
 Interface Frequency 40 GHz
 VSWR < 1.25 @ 40 GHz



4	Pin	Beryllium Copper	Gold
3	Dielectric	Polyetherimide (PEI)	Yellow
2	Contact	Beryllium Copper	Gold
1	Body	Stainless Steel	Passivated
	Description	Material	Finish

Unless otherwise specified tolerances
 0.5-5 = ±0.2
 >5-30 = ±0.4
 >30-120 = ±0.6
 >120-315 = ±1.0
 >315-1000 = ±1.6
 Angles = ±5°
 Units = mm

This document is the confidential property of Gigatronix Limited and may not be copied, reproduced or transmitted to any third party without written authorisation.



Author	PJP
Drawn by	PJP
Drawing date	24/06/2025
Checked by	DB
Checked date	24/06/2025
Scale	Not to scale

Part Number	2915-10-A04
Title	Title: 2.92 Plug to 2.92 Jack Precision Adaptor, Stainless Steel