

**Revisions**

Issue	Date	Note
2	31/10/2022	See GTXPCD/600 - checked DB 31/10/2022

**DATASHEET**



**1. Mechanical**

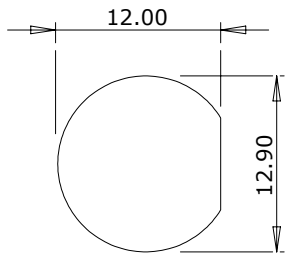
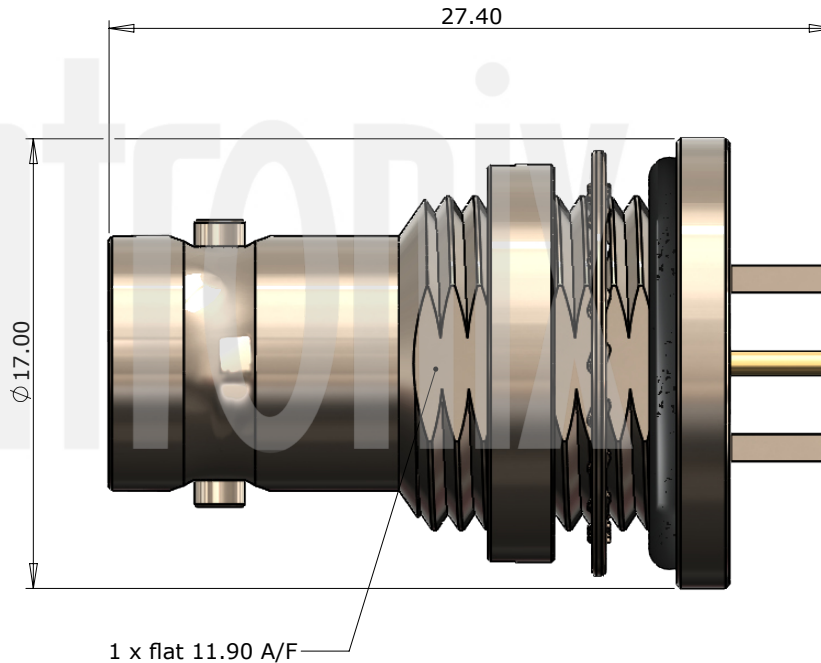
Fixing Method	PCB
Durability	500 mating cycles
Lock Nut Torque	4.0 - 4.5Nm (35-40 in-lbs)

**2. Environmental**

RoHS Compliant	Yes
Temperature Range	-65 to +165 degrees C

**3. Electrical**

Dielectric Withstanding	1500 Volts RMS Maximum
Impedance	75 ohms
Interface Frequency	12 GHz
Working Voltage	500 Volts RMS Maximum



Panel Cut Out

Description	Material	Finish
6 O Ring	Silicone	Black
5 Washer	Phosphor Bronze	Nickel
4 Locknut	Brass	Nickel
3 Dielectric	PTFE	White
2 Contact	Phosphor Bronze	Gold
1 Body	Brass	Nickel

Unless otherwise specified tolerances  
 0.5-5 = ±0.2  
 >5-30 = ±0.4  
 >30-120 = ±0.6  
 >120-315 = ±1.0  
 >315-1000 = ±1.6  
 Angles = ±5°  
 Units = mm

This document is the confidential property of Gigatronix Limited and may not be copied, reproduced or transmitted to any third party without written authorisation.



<b>Author</b>	PJP
<b>Drawn by</b>	PJP
<b>Drawing date</b>	13/08/2018
<b>Checked by</b>	DB
<b>Checked date</b>	21/08/2018
<b>Scale</b>	Not to scale

**Part Number** BN02-X15C-N06-Z  
 BNC 12G SDI Vertical PCB Bulkhead Jack, Nickel Plated, Circular Nut