

Revisions

Issue	Date	Note
4	20/06/2025	See GTXPDC/1108

1. Mechanical

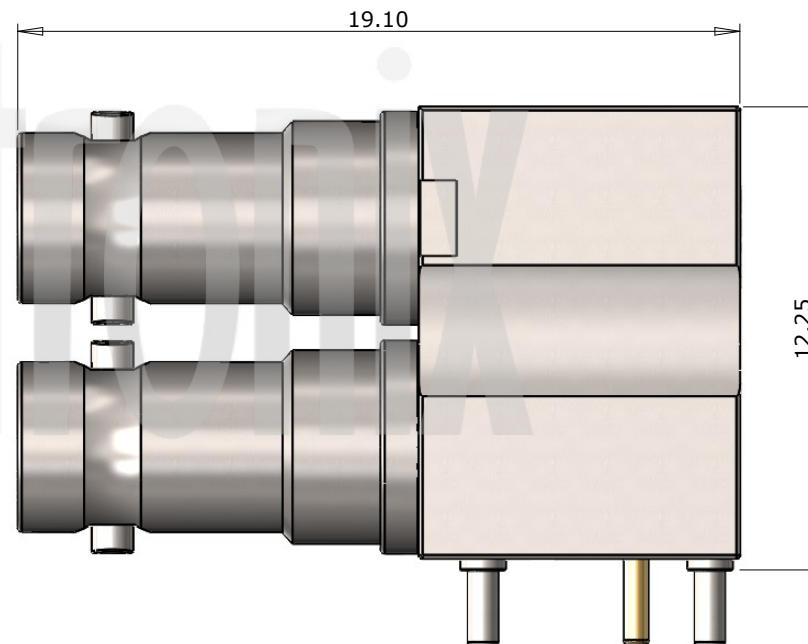
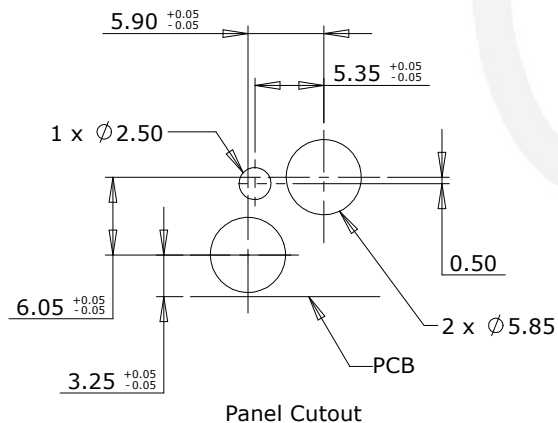
Fixing Method PCB  
 Durability 500 mating cycles

2. Environmental

RoHS Compliant Yes  
 Temperature Range -65 to +165 degrees C

3. Electrical

Dielectric Withstanding 500 Volts RMS Maximum  
 Impedance 75 ohms  
 Interface Frequency 12 GHz  
 Working Voltage 500 Volts RMS Maximum



4	Dielectric	PTFE	White
3	Housing	Brass	Tin
2	Contact	Beryllium Copper	Gold
1	Body	Brass	CuSnZn
	<b>Description</b>	<b>Material</b>	<b>Finish</b>

Unless otherwise specified tolerances  
 0.5-5 = ±0.2  
 >5-30 = ±0.4  
 >30-120 = ±0.6  
 >120-315 = ±1.0  
 >315-1000 = ±1.6  
 Angles = ±5°  
 Units = mm

This document is the confidential property of Gigatronix Limited and may not be copied, reproduced or transmitted to any third party without written authorisation.



<b>Author</b>	PJP
<b>Drawn by</b>	PJP
<b>Drawing date</b>	06/11/2018
<b>Checked by</b>	DB
<b>Checked date</b>	07/11/2018
<b>Scale</b>	Not to scale

**Part Number** HD02-X945-N49-Z  
**Title:** HD BNC 12G SDI Right Angle Double Offset PCB Mount Bulkhead Jack, Tri-Alloy Plated