

Revisions

Issue	Date	Note
1	06/03/2026	See GTXPDC/1188



1. Mechanical

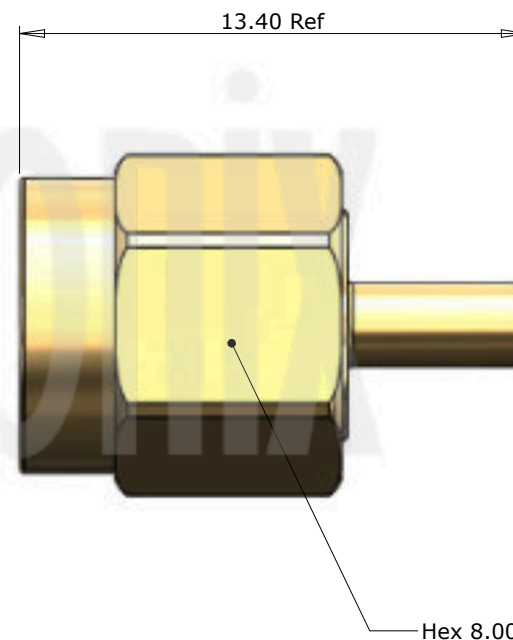
Cable Retention	22N
Durability	500 mating cycles
Fixing Method	Solder
Mating Torque	0.79 to 1.13Nm

2. Environmental

RoHS Compliant	Yes
Temperature Range	-65 to +165 degrees C

3. Electrical

Dielectric Withstanding	750 Volts RMS Maximum
Impedance	50 ohms
Interface Frequency	26.5 GHz
Working Voltage	335 Volts RMS Maximum



Description	Material	Finish
4 Dielectric	PTFE	White
3 Coupling Nut	Brass	Gold
2 Pin	Brass	Gold
1 Body	Brass	Gold

Unless otherwise specified tolerances
 0.5-5 = ±0.2
 >5-30 = ±0.4
 >30-120 = ±0.6
 >120-315 = ±1.0
 >315-1000 = ±1.6
 Angles = ±5°
 Units = mm

This document is the confidential property of Gigatronix Limited and may not be copied, reproduced or transmitted to any third party without written authorisation.



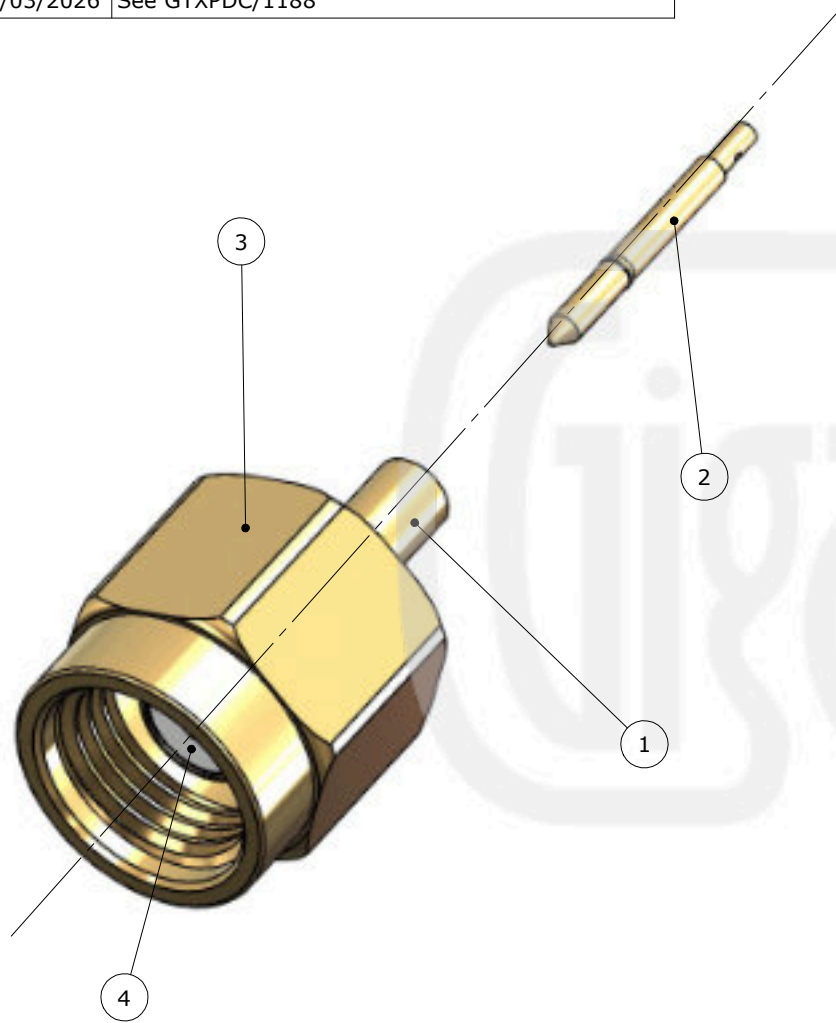
Author	PJP
Drawn by	PJP
Drawing date	16/01/2026
Checked by	DB
Checked date	06/03/2026
Scale	Not to scale

Part Number	MA15-0047-R01
Title: SMA Solder Plug, Gold Plated, .047 semi-rigid	

Revisions

Issue	Date	Note
1	06/03/2026	See GTXPDC/1188

ASSEMBLY INSTRUCTIONS



Assembly Instructions:

1) Strip the cable to the dimensions as shown, taking care not to nick the centre core.



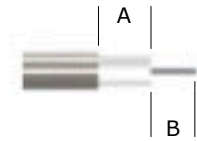
2) Solder the pin onto the centre core and slide the pin into the body, ensuring that the pin is located in accordance with MIL-C-39012 interface dimensional requirements.

3) Solder the outer shield of the cable to the connector mandril.



Strip Dimensions:


Semi Rigid Cable (using a 0.2mm spacer) - A=4.2mm, B=1.8mm



Description	Material	Finish
4 Dielectric	PTFE	White
3 Coupling Nut	Brass	Gold
2 Pin	Brass	Gold
1 Body	Brass	Gold

Unless otherwise specified tolerances
 0.5-5 = ±0.2
 >5-30 = ±0.4
 >30-120 = ±0.6
 >120-315 = ±1.0
 >315-1000 = ±1.6
 Angles = ±5°
 Units = mm

This document is the confidential property of Gigatronix Limited and may not be copied, reproduced or transmitted to any third party without written authorisation.



Part Number MA15-0047-R01
Title: SMA Solder Plug, Gold Plated, .047 semi-rigid

Author	PJP
Drawn by	PJP
Drawing date	16/01/2026
Checked by	DB
Checked date	06/03/2026
Scale	Not to scale