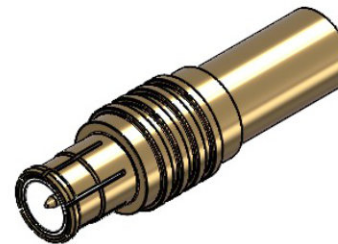


Revisions

Issue	Date	Note
4	16/07/2024	See GTXPDC/972

DATASHEET



1. Mechanical

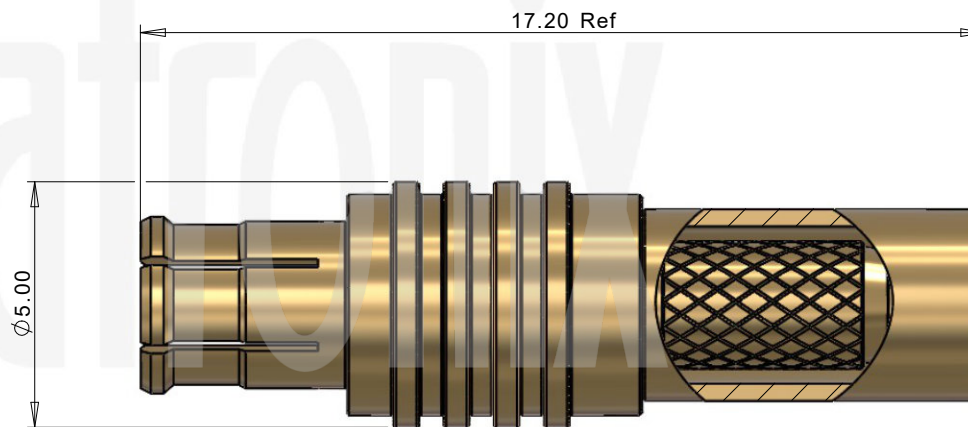
Fixing Method	Crimp
Cable Retention	Equal to breaking strain of cable
Durability	500 mating cycles
Contact Termination	Crimp

2. Environmental

RoHS Compliant	Yes
Temperature Range	-65 to +165 degrees C

3. Electrical

Dielectric Withstanding	500 Volts RMS Maximum
Impedance	50 ohms
Interface Frequency	6 GHz
Working Voltage	250 Volts RMS Maximum



4	Ferrule	Brass	Gold
3	Dielectric	White	PTFE
2	Pin	Brass	Gold
1	Body	Brass / Beryllium Copper	Gold
	Description	Material	Finish

Unless otherwise specified tolerances
 0.5-5 = ±0.2
 >5-30 = ±0.4
 >30-120 = ±0.6
 >120-315 = ±1.0
 >315-1000 = ±1.6
 Angles = ±5°
 Units = mm

This document is the confidential property of Gigatronix Limited and may not be copied, reproduced or transmitted to any third party without written authorisation.



Author	PJP
Drawn by	PJP
Drawing date	18/04/2018
Checked by	DB
Checked date	19/04/2018
Scale	Not to scale

Part Number MX15-0174-C01

Title: MCX Crimp Plug, Gold Plated, 50 ohms, RG174, LBC100, RG316

Revisions

Issue	Date	Note
4	16/07/2024	See GTXPDC/972

ASSEMBLY INSTRUCTIONS

Assembly Instructions

1) Slide the ferrule onto the cable and strip the cable to the dimensions as shown, taking care not to nick the centre conductor or braid.



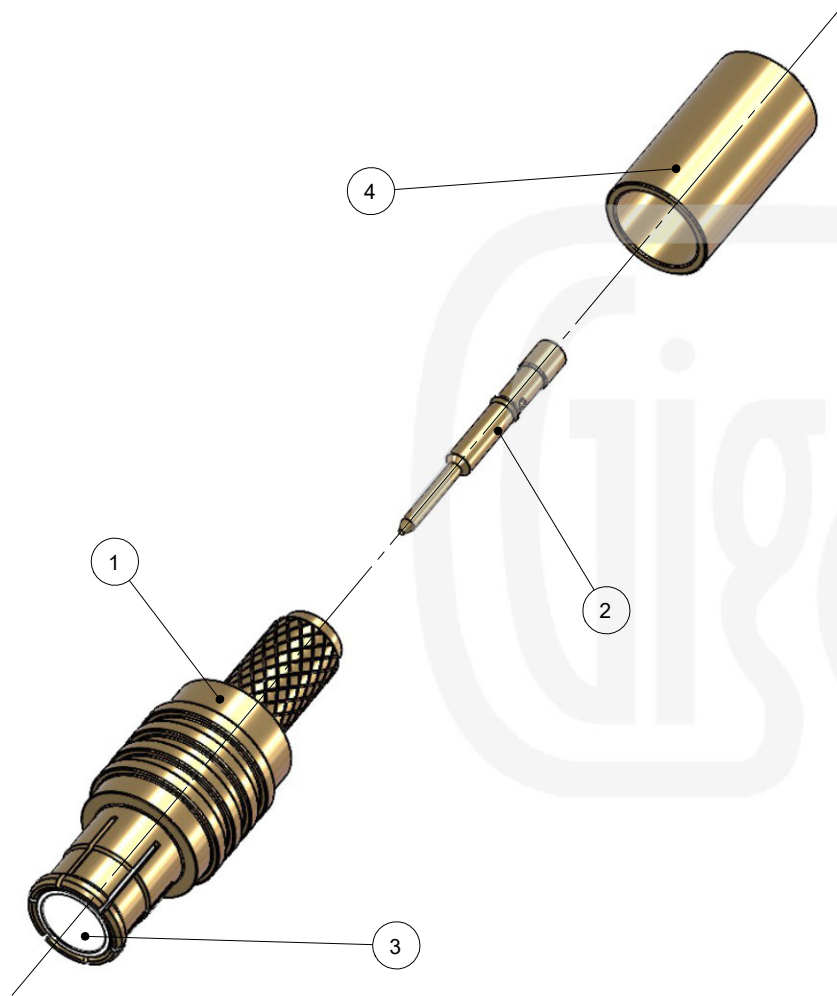
2) Crimp the pin onto the centre core and slide the pin into the body, ensuring that the cable braid is on the outside of the connector mandril and that the pin is fully located.

3) Slide the ferrule forward and crimp.



Crimp Die Sizes:
3.25mm Hex., 0.72 sq.

Strip Dimensions:
A=4.5mm, B=1.3mm, C=2.5mm



4	Ferrule	Brass	Gold
3	Dielectric	White	PTFE
2	Pin	Brass	Gold
1	Body	Brass / Beryllium Copper	Gold
	Description	Material	Finish

Unless otherwise specified tolerances
 0.5-5 = ±0.2
 >5-30 = ±0.4
 >30-120 = ±0.6
 >120-315 = ±1.0
 >315-1000 = ±1.6
 Angles = ±5°
 Units = mm

This document is the confidential property of Gigatronix Limited and may not be copied, reproduced or transmitted to any third party without written authorisation.



Author	PJP
Drawn by	PJP
Drawing date	18/04/2018
Checked by	DB
Checked date	19/04/2018
Scale	Not to scale

Part Number | MX15-0174-C01

Title: MCX Crimp Plug, Gold Plated, 50 ohms, RG174, LBC100, RG316