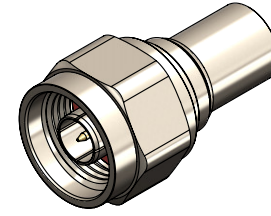


Revisions

Issue	Date	Note
1	3/07/2023	See note GTXPDC/801

DATASHEET



1. Mechanical

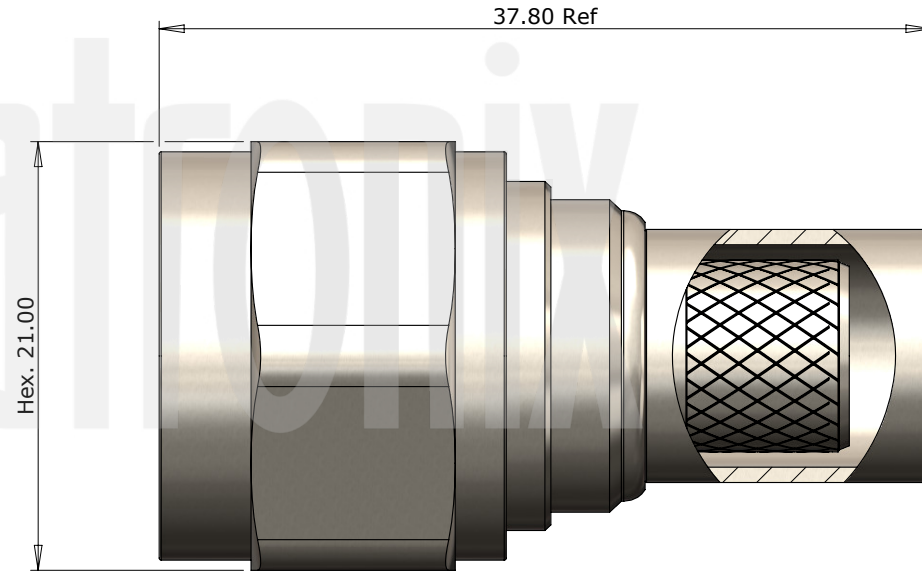
Cable Retention	Equal to breaking strain of cable
Durability	500 mating cycles
Fixing Method	Crimp
Contact Termination	Crimp

2. Environmental

RoHS Compliant	Yes
Temperature Range	-65 to +165 degrees C

3. Electrical

Dielectric Withstanding	2500 Volts RMS Maximum
Impedance	50 ohms
Interface Frequency	11 GHz
Working Voltage	1500 Volts RMS Maximum



Description	Material	Finish
6 Internal Pin	Phosphor Bronze	Gold
5 Dielectric	PTFE	White
4 Ferrule	Brass	CTZ Tri-Alloy Plated
3 Pin	Brass	Gold
2 Coupling Nut	Brass	CTZ Tri-Alloy Plated
1 Body	Brass	CTZ Tri-Alloy Plated

Unless otherwise specified tolerances
 0.5-5 = ±0.2
 >5-30 = ±0.4
 >30-120 = ±0.6
 >120-315 = ±1.0
 >315-1000 = ±1.6
 Angles = ±5°
 Units = mm

This document is the confidential property of Gigatronix Limited and may not be copied, reproduced or transmitted to any third party without written authorisation.



Author	PJP
Drawn by	PJP
Drawing date	03/07/2023
Checked by	DB
Checked date	04/07/2023
Scale	Not to scale

Part Number NT15-0519-C49WP
Title: N Type Waterproof Crimp Plug, IP68, Tri-Alloy Plated, Hex Nut, LBC400, Belden 9913, RA519

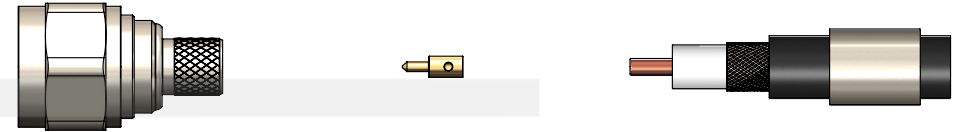
Revisions

Issue	Date	Note
1	3/07/2023	See note GTXPDC/801

ASSEMBLY INSTRUCTIONS

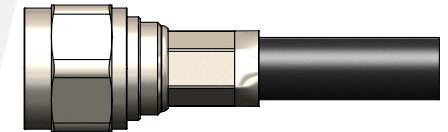
Assembly Instructions:

1) Slide the ferrule onto the cable and strip the cable to the dimensions as shown, taking care not to nick the centre conductor or braid

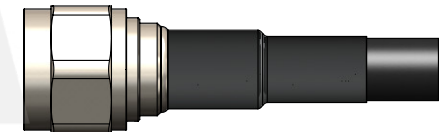


2) Crimp the pin onto the centre core and then push into the body, ensuring that the cable braid is on the outside of the connector mandril and that the centre pin is fully located within the integral pin

3) Slide the ferrule forward and crimp.



4) Apply 35mm adhesive lined heatshrink



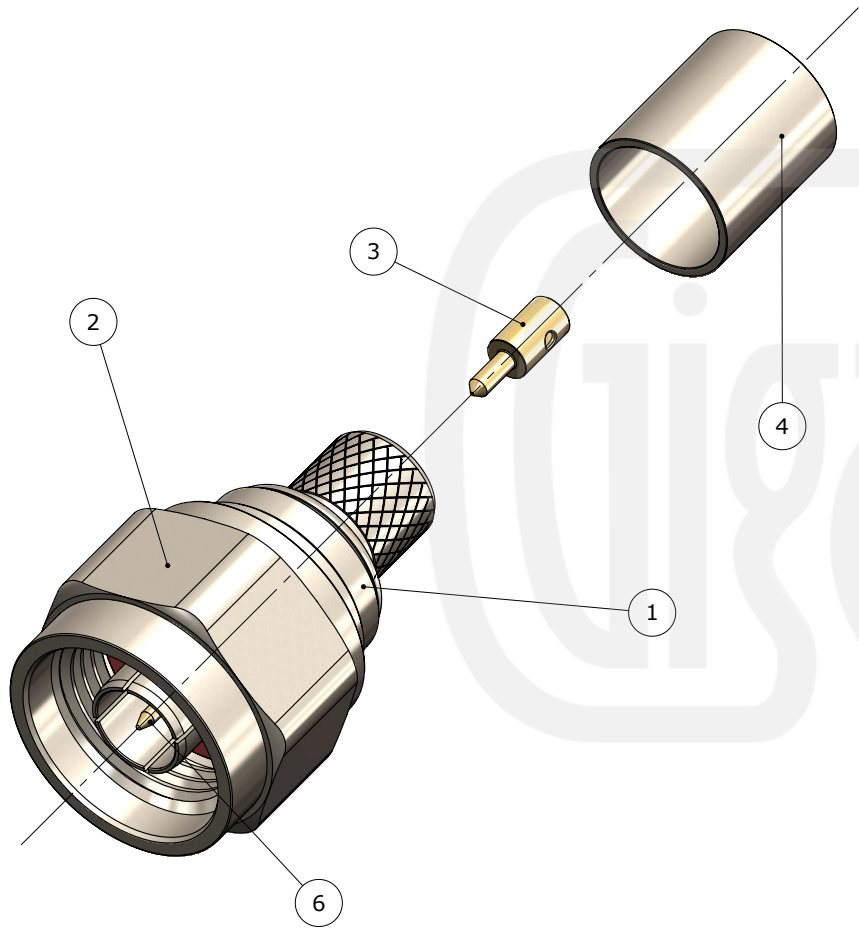
Strip Dimensions:

A=9.5mm, B=0.0mm, C=4.0mm



Crimp Die Sizes:

10.90mm Hex., 2.95mm Hex.



Description	Material	Finish
6 Internal Pin	Phosphor Bronze	Gold
5 Dielectric	PTFE	White
4 Ferrule	Brass	CTZ Tri-Alloy Plated
3 Pin	Brass	Gold
2 Coupling Nut	Brass	CTZ Tri-Alloy Plated
1 Body	Brass	CTZ Tri-Alloy Plated

Unless otherwise specified tolerances
 0.5-5 = ±0.2
 >5-30 = ±0.4
 >30-120 = ±0.6
 >120-315 = ±1.0
 >315-1000 = ±1.6
 Angles = ±5°
 Units = mm

This document is the confidential property of Gigatronix Limited and may not be copied, reproduced or transmitted to any third party without written authorisation.



Author	PJP
Drawn by	PJP
Drawing date	03/07/2023
Checked by	DB
Checked date	04/07/2023
Scale	Not to scale
Part Number	NT15-0519-C49WP
Title:	N Type Waterproof Crimp Plug, IP68, Tri-Alloy Plated, Hex Nut, LBC400, Belden 9913, RA519