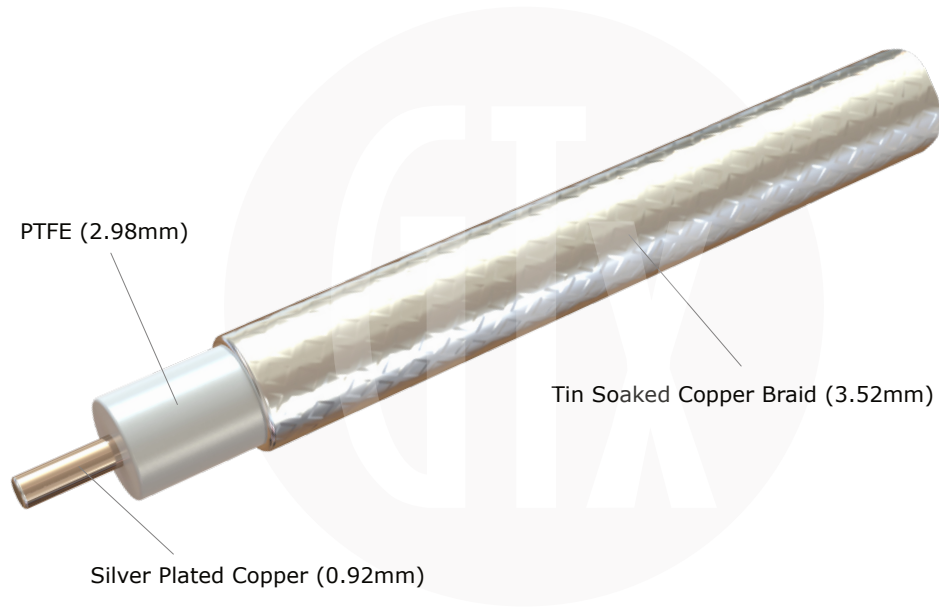


RG402C

Conformable Coaxial Cable



MATERIAL SPECIFICATION

Inner Conductor	Silver Plated Copper (0.92mm)
Dielectric	PTFE (2.98mm)
Outer Conductor	Tin Soaked Copper Braid (3.52mm)
Jacket	N/A

ELECTRICAL SPECIFICATION

Impedance	50 Ohms
Max. Frequency	DC to 34 GHz
Capacitance	95.1 pF/m
Voltage Withstanding	1900V RMS Maximum
Velocity Of Propagation	70%

MECHANICAL & ENVIRONMENTAL SPECIFICATION

Bending Radius (static)	8mm
Weight	40 gms/m
RoHS Compliant	Yes
Temperature Range	-55 to +125 degrees C

RG402C

Conformable Coaxial Cable

FREQUENCY	ATTENUATION (per 100m)
0.5 GHz	26.0 dB
1 GHz	39.0 dB
5 GHz	92.0 dB
10 GHz	138.0 dB
20 GHz	210.0 dB

