

Revisions

Issue	Date	Note
1	12/10/2021	See note GTXPDC/319



1. Mechanical

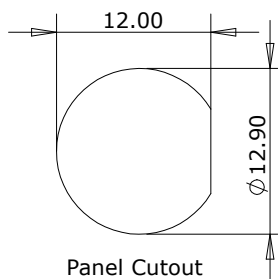
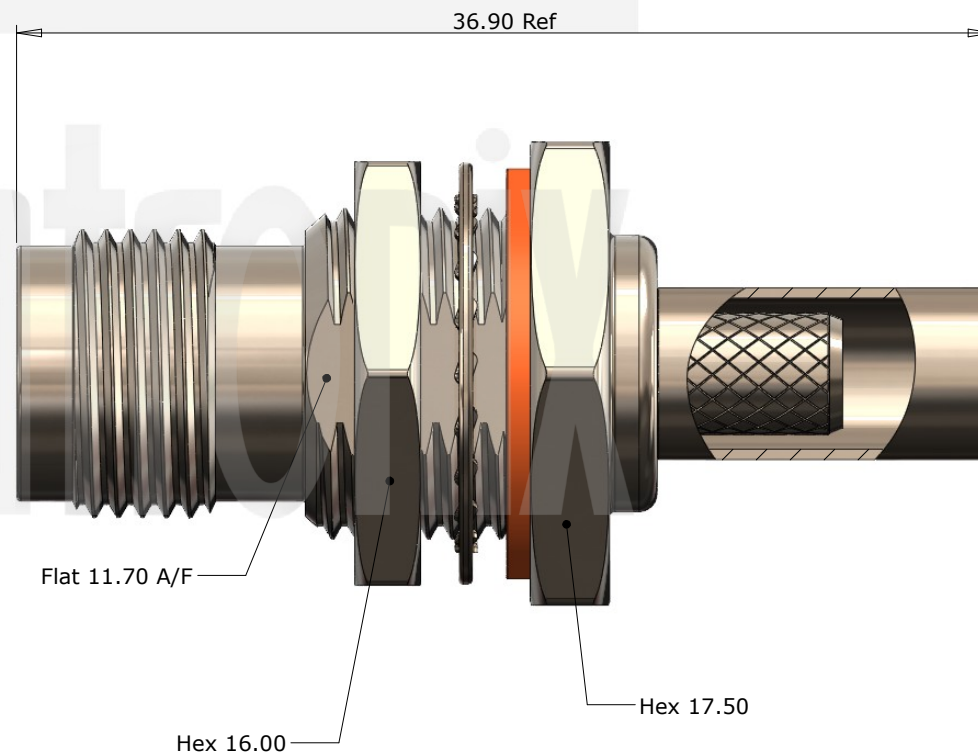
Cable Retention	Equal to breaking strain of cable
Durability	500 mating cycles
Lock Nut Torque	4.0 - 4.5Nm (35-40 in-lbs)

2. Environmental

RoHS Compliant	Yes
Temperature Range	-55 to +85 degrees C

3. Electrical

Dielectric Withstanding	1500 Volts RMS Maximum
Impedance	50 ohms
Interface Frequency	11 GHz
Working Voltage	500 Volts RMS Maximum



Issue	Description	Material	Finish
7	Washer	SS41	Nickel
6	Lock Nut	Brass	Nickel
5	O Ring	Rubber	Red
4	Ferrule	Brass	Nickel
3	Dielectric	Delrin	White
2	Contact	Brass	Gold
1	Body	Brass	Nickel
	Description	Material	Finish

Unless otherwise specified tolerances
 0.5-5 = ±0.2
 >5-30 = ±0.4
 >30-120 = ±0.6
 >120-315 = ±1.0
 >315-1000 = ±1.6
 Angles = ±5°
 Units = mm

This document is the confidential property of Gigatronix Limited and may not be copied, reproduced or transmitted to any third party without written authorisation.



Author	PJP
Drawn by	PJP
Drawing date	12/10/2021
Checked by	DB
Checked date	02/11/2021
Scale	Not to scale

Part Number	TN02-0400-C06
Title:	TNC Crimp Bulkhead Jack, Nickel Plated, RG142, RG223, RG400

Revisions

Issue	Date	Note
1	12/10/2021	See note GTXPDC/319

ASSEMBLY INSTRUCTIONS

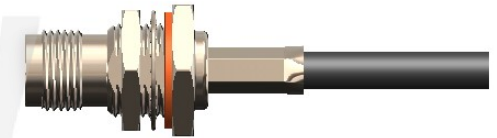
Assembly Instructions

1) Slide the ferrule onto the cable and strip the cable to the dimensions as shown, taking care not to nick the centre conductor or braid.



2) Crimp the contact onto the centre core and then slide the contact into the body until fully located, ensuring that the cable braid is on the outside of the connector mandril.

3) Slide the ferrule forward and crimp.



Crimp Hex. Sizes:
5.41mm Hex, 1.69mm Hex

Strip Dimensions:
A=7.0mm, B=6.0mm, C=3.0mm



7	Washer	SS41	Nickel
6	Lock Nut	Brass	Nickel
5	O Ring	Rubber	Red
4	Ferrule	Brass	Nickel
3	Dielectric	Delrin	White
2	Contact	Brass	Gold
1	Body	Brass	Nickel
	Description	Material	Finish

Unless otherwise specified tolerances
 0.5-5 = ±0.2
 >5-30 = ±0.4
 >30-120 = ±0.6
 >120-315 = ±1.0
 >315-1000 = ±1.6
 Angles = ±5°
 Units = mm

This document is the confidential property of Gigatronix Limited and may not be copied, reproduced or transmitted to any third party without written authorisation.



Author	PJP
Drawn by	PJP
Drawing date	12/10/2021
Checked by	DB
Checked date	02/11/2021
Scale	Not to scale

Part Number TN02-0400-C06

Title: TNC Crimp Bulkhead Jack, Nickel Plated, RG142, RG223, RG400