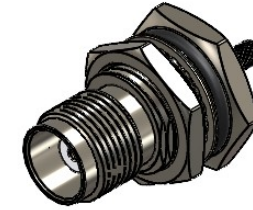


Revisions

Issue	Date	Note
4	20/05/2026	See GTXPDC/1216

DATASHEET



1. Mechanical

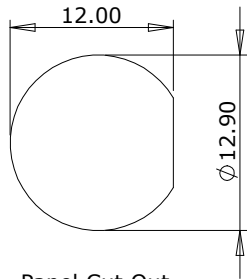
Cable Retention	Equal to breaking strain of cable
Durability	500 mating cycles
Fixing Method	Crimp
Contact Termination	Solder
Maximum Panel Thickness	6.00mm

2. Environmental

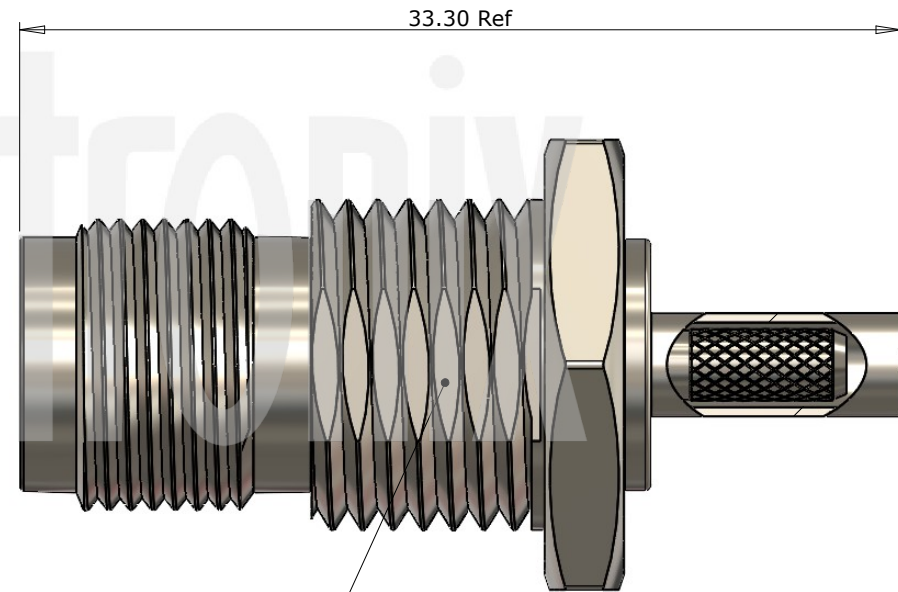
RoHS Compliant	Yes
Temperature Range	-65 to +165 degrees C

3. Electrical

Dielectric Withstanding	1500 Volts RMS Maximum
Impedance	50 ohms
Interface Frequency	11 GHz
Working Voltage	500 Volts RMS Maximum



Panel Cut Out



1 x flat 11.9 A/F

8	Lock Nut	Brass	Nickel	Unless otherwise specified tolerances 0,5-5 = ±0.2 >5-30 = ±0.4 >30-120 = ±0.6 >120-315 = ±1.0 >315-1000 = ±1.6 Angles = ±5° Units = mm
7	Washer	Phosphor Bronze	Nickel	
6	O Ring	Silicone	Black	
5	Ferrule	Brass	Nickel	
4	Dielectric	PTFE	White	
3	Pin	Brass	Gold	This document is the confidential property of Gigatronix Limited and may not be copied, reproduced or transmitted to any third party without written authorisation.
2	Contact	Phosphor Bronze	Gold	
1	Body	Brass	Nickel	
Description		Material	Finish	



Author	PJP
Drawn by	PJP
Drawing date	24/04/2015
Checked by	DJB
Checked date	30/11/2017
Scale	Not to scale

Part Number	TN02-3161-C06WP
Title:	TNC Waterproof Crimp Bulkhead Jack, IP68, Nickel Plated, RG174, LBC100, RG316

Revisions

Issue	Date	Note
4	20/05/2026	See GTXPDC/1216

ASSEMBLY INSTRUCTIONS

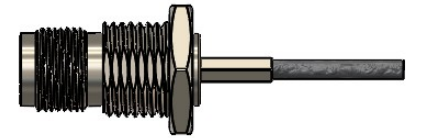
Assembly Instructions

1) Slide the ferrule onto the cable and strip the cable to the dimensions as shown, taking care not to nick the centre conductor or braid.



2) Solder the pin onto the centre core and slide into the body until fully located, ensuring that the cable braid is on the outside of the connector mandril.

3) Slide the ferrule forward and crimp.



Crimp Die Sizes:
3.25mm Hex., Solder centre core

Strip Dimensions:
A=7.5mm, B=5.0mm, C=2.5mm



8	Lock Nut	Brass	Nickel
7	Washer	Phosphor Bronze	Nickel
6	O Ring	Silicone	Black
5	Ferrule	Brass	Nickel
4	Dielectric	PTFE	White
3	Pin	Brass	Gold
2	Contact	Phosphor Bronze	Gold
1	Body	Brass	Nickel
	Description	Material	Finish

Unless otherwise specified tolerances
 0.5-5 = ±0.2
 >5-30 = ±0.4
 >30-120 = ±0.6
 >120-315 = ±1.0
 >315-1000 = ±1.6
 Angles = ±5°
 Units = mm

This document is the confidential property of Gigatronix Limited and may not be copied, reproduced or transmitted to any third party without written authorisation.



Author	PJP
Drawn by	PJP
Drawing date	24/04/2015
Checked by	DJB
Checked date	30/11/2017
Scale	Not to scale

Part Number TN02-3161-C06WP
Title: TNC Waterproof Crimp Bulkhead Jack, IP68, Nickel Plated, RG174, LBC100, RG316