

Revisions

Issue	Date	Note
1	17/04/2026	See GTXPDC/1207

DATASHEET



1. Mechanical

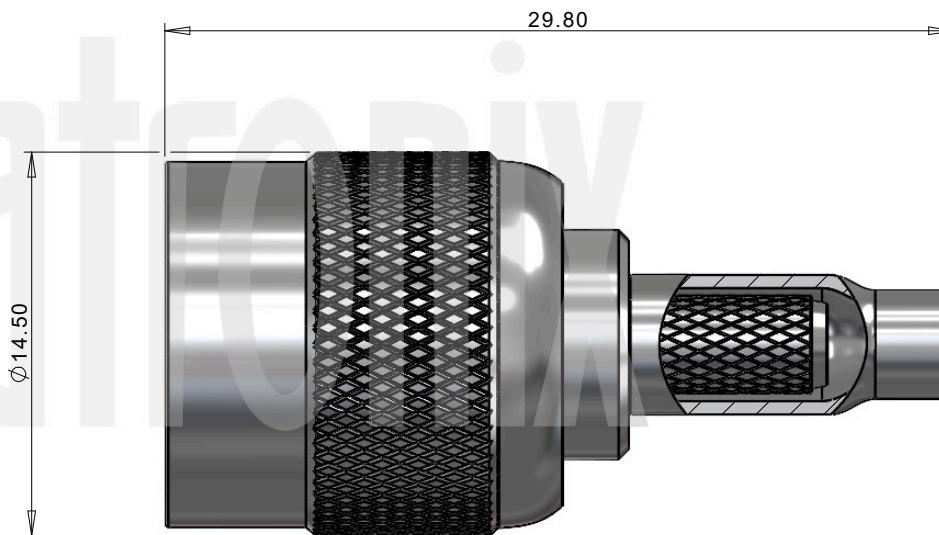
Cable Retention	Equal to breaking strain of cable
Durability	500 mating cycles
Fixing Method	Crimp

2. Environmental

RoHS Compliant	Yes
Temperature Range	-65 to +165 degrees C

3. Electrical

Dielectric Withstanding	1500 Volts RMS Maximum
Impedance	50 ohms
Interface Frequency	11 GHz
Working Voltage	500 Volts RMS Maximum



Issue	Date	Note	Material	Finish
5			Ferrule	Brass Nickel
4			Dielectric	PTFE White
3			Pin	Brass Gold
2			Coupling Nut	Brass Nickel
1			Body	Brass Nickel
			<b>Description</b>	<b>Material</b>
				<b>Finish</b>

Unless otherwise specified tolerances  
 0.5-5 = ± 0.2  
 >5-30 = ± 0.4  
 >30-120 = ± 0.6  
 >120-315 = ± 1.0  
 >315-1000 = ± 1.6  
 Angles = ± 5°  
 Units = mm

This document is the confidential property of Gigatronix Limited and may not be copied, reproduced or transmitted to any third party without written authorisation.



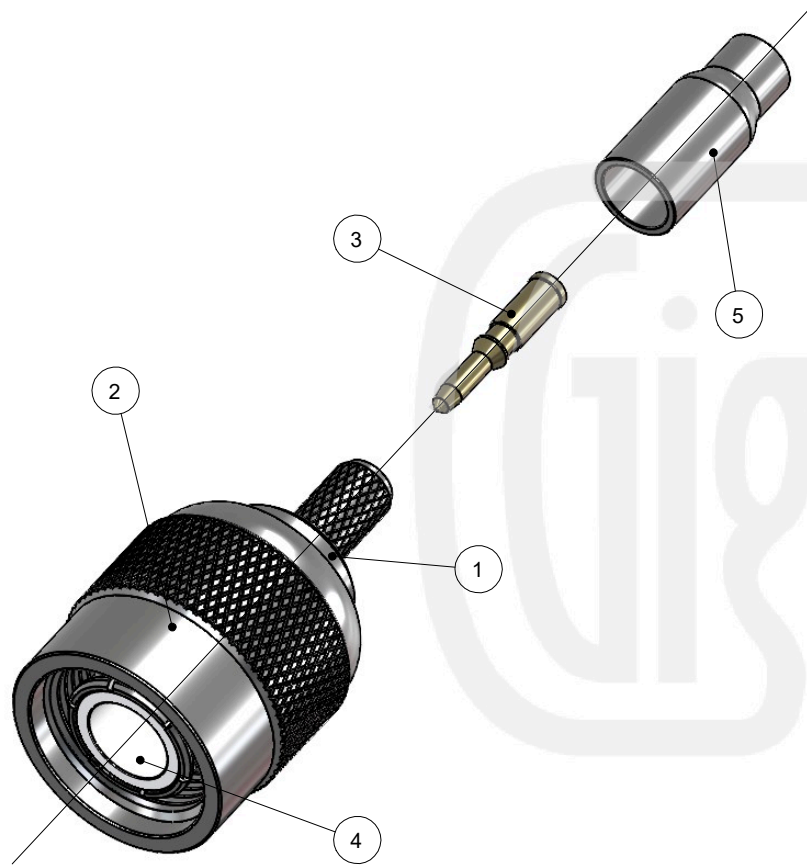
Author	PJP
Drawn by	PJP
Drawing date	17/04/2026
Checked by	DB
Checked date	17/04/2026
Scale	Not to scale

**Part Number** TN15-0174-C06  
**Title:** TNC Crimp Plug, Nickel Plated, PTFEDielectric, RG174, LBC100, RG316

Revisions

Issue	Date	Note
1	17/04/2026	See GTXPDC/1207

ASSEMBLY INSTRUCTIONS



Assembly Instructions:

1) Slide the ferrule onto the cable and strip the cable to the dimensions as shown, taking care not to nick the centre conductor or braid



2) Crimp the pin onto the centre core and slide the pin into the body until it captivates, ensuring that the cable braid is on the outside of the connector mandril

3) Slide the ferrule forward and crimp



**Crimp Die Sizes:**  
4.52mm Hex., 1.69mm Hex.

**Strip Dimensions:**  
A=8.0mm, B=6.0mm, C=3.0mm



Description	Material	Finish
5 Ferrule	Brass	Nickel
4 Dielectric	PTFE	White
3 Pin	Brass	Gold
2 Coupling Nut	Brass	Nickel
1 Body	Brass	Nickel

Unless otherwise specified tolerances  
 0.5-5 = ±0.2  
 >5-30 = ±0.4  
 >30-120 = ±0.6  
 >120-315 = ±1.0  
 >315-1000 = ±1.6  
 Angles = ±5°  
 Units = mm

This document is the confidential property of Gigatronix Limited and may not be copied, reproduced or transmitted to any third party without written authorisation.



Author	PJP
Drawn by	PJP
Drawing date	17/04/2026
Checked by	DB
Checked date	17/04/2026
Scale	Not to scale

**Part Number** TN15-0174-C06  
**Title:** TNC Crimp Plug, Nickel Plated, PTFEDielectric, RG174, LBC100, RG316